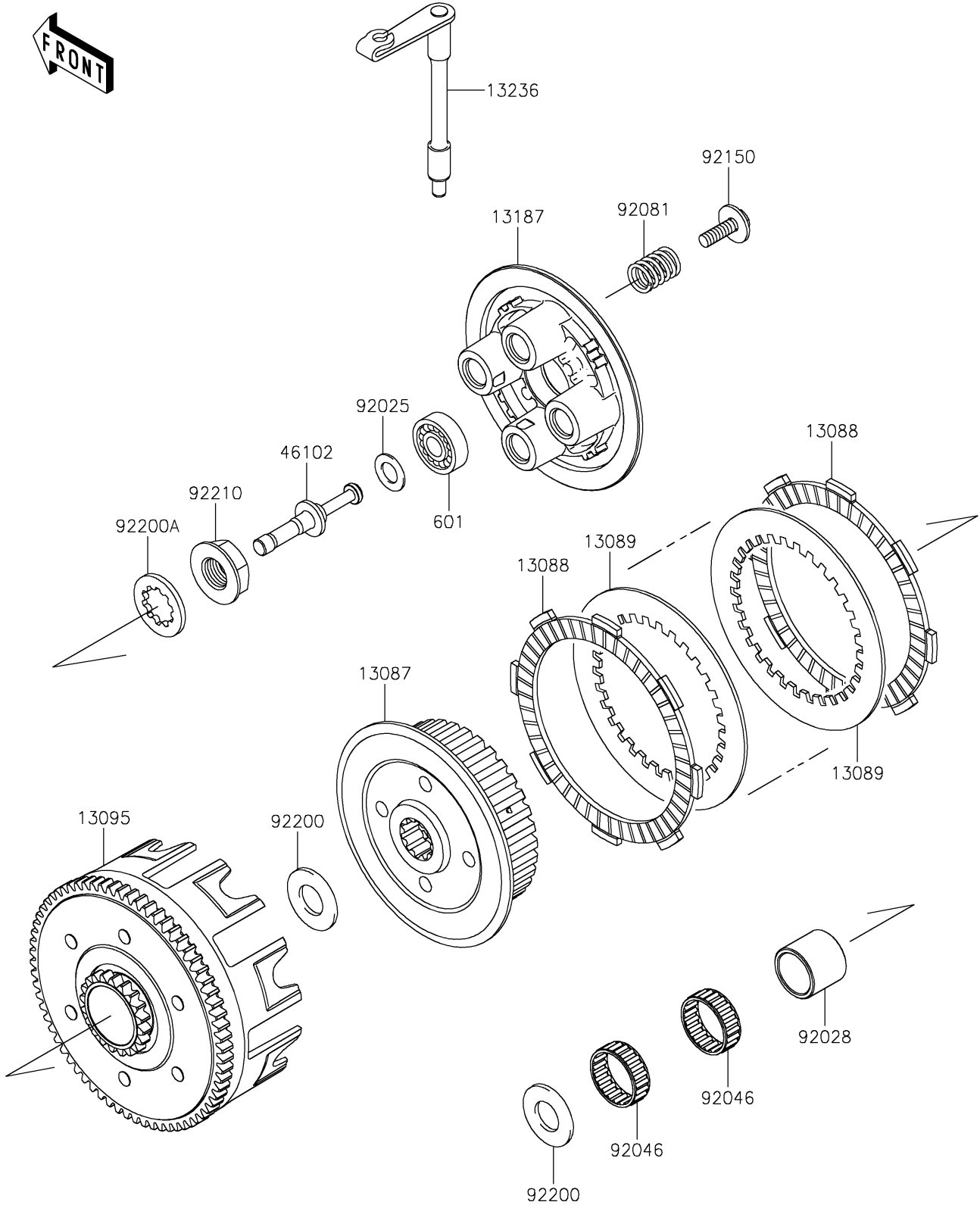


2026 KX™ 85 L

PARTS DIAGRAM

Clutch

E1350



2026 KX™ 85 L

PARTS LIST

Clutch

ITEM NAME	PART NUMBER	QUANTITY
HUB-CLUTCH (Ref # 13087)	13087-1170	1
PLATE-FRICTION (Ref # 13088)	13088-1016	6
PLATE-CLUTCH (Ref # 13089)	13089-1120	5
HOUSING-COMP-CLUTCH (Ref # 13095)	13095-1406	1
PLATE-CLUTCH OPERATING (Ref # 13187)	13187-1013	1
LEVER-COMP,RELEASE (Ref # 13236)	13236-1298	1
ROD,CLUTCH RELEASE (Ref # 46102)	46102-1409	1
SHIM (Ref # 92025)	92025-1780	1
BUSHING,20X25X21.1 (Ref # 92028)	92028-1811	1
BEARING-NEEDLE,KT252910EG (Ref # 92046)	92046-1254	2
SPRING,CLUTCH (Ref # 92081)	92081-1492	4
BOLT,6X20,WASHER (Ref # 92150)	92150-1715	4
WASHER,20.3X33X2.0 (Ref # 92200)	92200-1351	2
WASHER,20X30X2.6 (Ref # 92200A)	92200-1352	1
NUT,16MM (Ref # 92210)	92210-1113	1
BEARING-BALL (Ref # 601)	601A6001	1