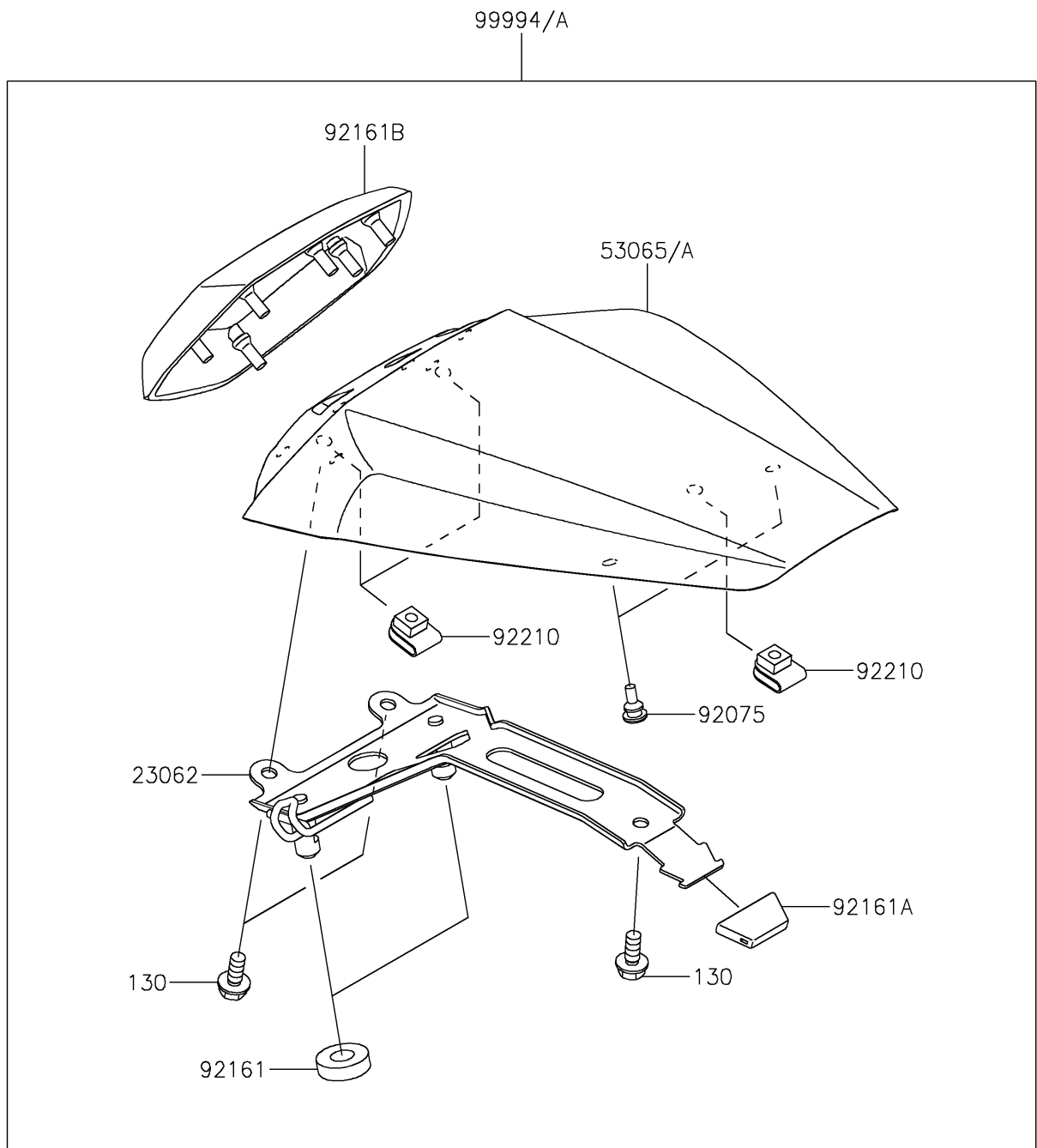


# 2026 NINJA® ZX™-10R

## PARTS DIAGRAM

### Accessory(Pillion Seat Cover)

F2910A



# 2026 NINJA® ZX™-10R

## PARTS LIST

### Accessory(Pillion Seat Cover)

ITEM NAME	PART NUMBER	QUANTITY
BRACKET-COMP (Ref # 23062)	23062-1303	1
COVER SEAT,M.S.BLACK (Ref # 53065)	53065-0038-660	1
COVER SEAT,L.GREEN (Ref # 53065A)	53065-0038-777	1
DAMPER,6X10X15 (Ref # 92075)	92075-1808	2
DAMPER (Ref # 92161)	92161-0174	2
DAMPER (Ref # 92161A)	92161-0629	1
DAMPER,SEAT PAD (Ref # 92161B)	92161-1812	1
NUT,6MM (Ref # 92210)	92210-0277	3
PILLION SEAT COVER,M.S.BLACK (Ref # 99994)	99994-1484-660	1
PILLION SEAT COVER,L.GREEN (Ref # 99994A)	99994-1484-777	1
BOLT-FLANGED,6X14 (Ref # 130)	130BA0614	3