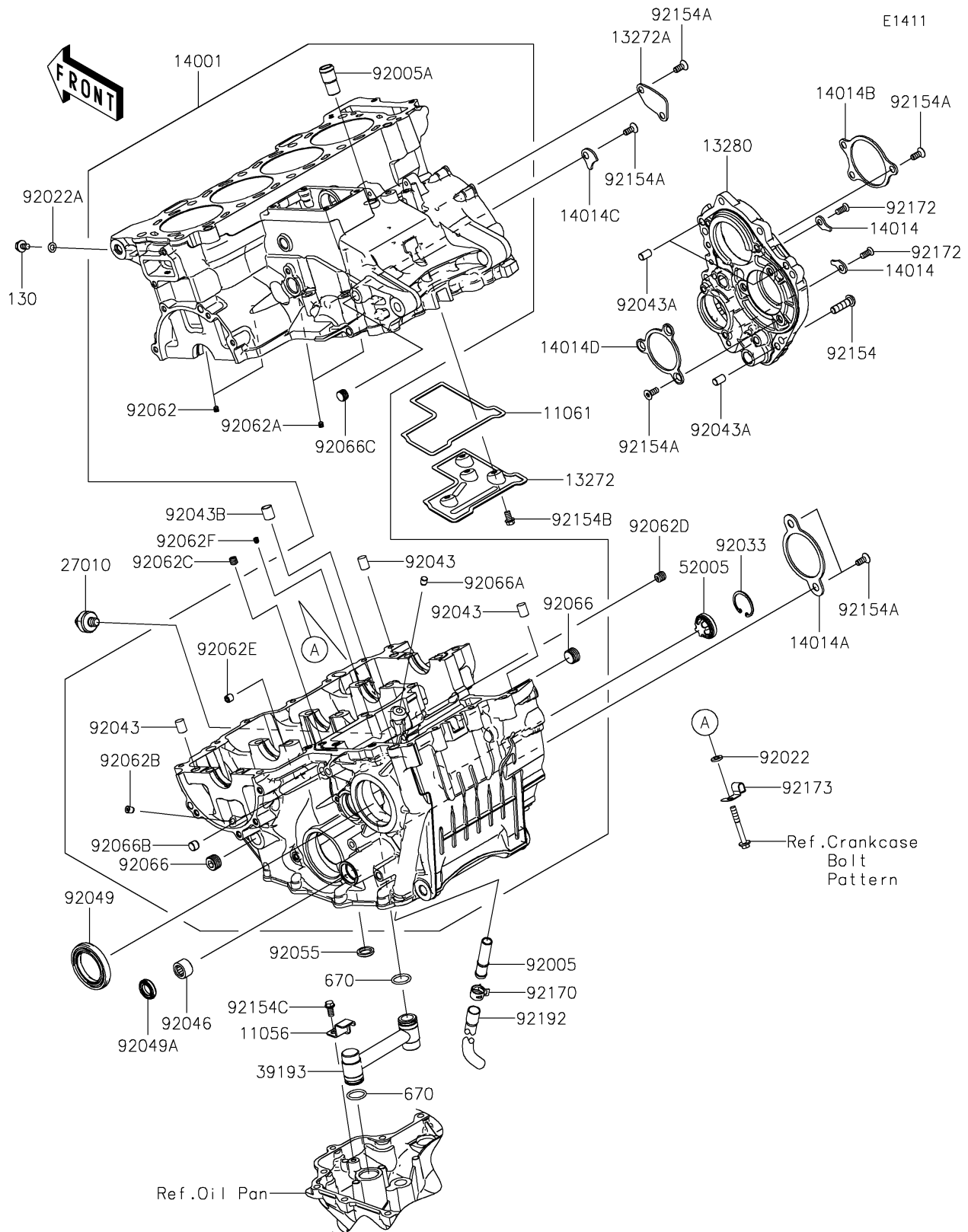


2026 NINJA® ZX™-10R

PARTS DIAGRAM

Crankcase



2026 NINJA® ZX™-10R

PARTS LIST

Crankcase

| ITEM NAME | PART NUMBER | QUANTITY |
|---------------------------------------|-------------|----------|
| BRACKET,OIL PIPE (Ref # 11056) | 11056-0189 | 1 |
| GASKET,BREATHER ROOM (Ref # 11061) | 11061-0435 | 1 |
| PLATE,BREATHER ROOM (Ref # 13272) | 13272-0886 | 1 |
| PLATE (Ref # 13272A) | 13272-0887 | 1 |
| HOLDER,TRANSMISSION (Ref # 13280) | 13280-0859 | 1 |
| SET-CRANKCASE (Ref # 14001) | 14001-0729 | 1 |
| PLATE-POSITION (Ref # 14014) | 14014-0042 | 2 |
| PLATE-POSITION (Ref # 14014A) | 14014-0044 | 1 |
| PLATE-POSITION (Ref # 14014B) | 14014-0046 | 1 |
| PLATE-POSITION (Ref # 14014C) | 14014-0559 | 1 |
| PLATE-POSITION (Ref # 14014D) | 14014-0560 | 1 |
| SWITCH,OIL PRESSURE (Ref # 27010) | 27010-1313 | 1 |
| PIPE-OIL (Ref # 39193) | 39193-0061 | 1 |
| GAUGE (Ref # 52005) | 52005-1120 | 1 |
| FITTING (Ref # 92005) | 92005-0126 | 1 |
| FITTING,BREATHER (Ref # 92005A) | 92005-1238 | 1 |
| WASHER,6.5X13X2.0 (Ref # 92022) | 92022-1523 | 1 |
| WASHER,6.2X11X1 (Ref # 92022A) | 92022-304 | 1 |
| RING-SNAP (Ref # 92033) | 92033-1305 | 1 |
| PIN,10X14 (Ref # 92043) | 92043-1506 | 3 |
| PIN,8X14 (Ref # 92043A) | 92043-1567 | 3 |
| PIN,10.1X12X14 (Ref # 92043B) | 92043-4009 | 1 |
| BEARING-NEEDLE,HK1412FM (Ref # 92046) | 92046-0043 | 1 |
| SEAL-OIL,TC38 57 8 (Ref # 92049) | 92049-0068 | 1 |
| SEAL-OIL,TC14245 (Ref # 92049A) | 92049-1520 | 1 |
| RING-O (Ref # 92055) | 92055-0211 | 1 |
| NOZZLE (Ref # 92062) | 92062-0004 | 2 |
| NOZZLE (Ref # 92062A) | 92062-0010 | 2 |
| NOZZLE (Ref # 92062B) | 92062-0012 | 1 |

2026 NINJA® ZX™-10R

PARTS LIST

Crankcase

| ITEM NAME | PART NUMBER | QUANTITY |
|--|-------------|----------|
| NOZZLE,8X8 (Ref # 92062C) | 92062-0020 | 1 |
| NOZZLE,10X10 (Ref # 92062D) | 92062-0021 | 1 |
| NOZZLE (Ref # 92062E) | 92062-0574 | 1 |
| NOZZLE,6X8,SILVER (Ref # 92062F) | 92062-1081 | 1 |
| PLUG (Ref # 92066) | 92066-0839 | 2 |
| PLUG,OIL LINE,7.2X8 (Ref # 92066A) | 92066-1012 | 1 |
| PLUG (Ref # 92066B) | 92066-1013 | 1 |
| PLUG (Ref # 92066C) | 92066-1110 | 1 |
| BOLT,TORX,8X28 (Ref # 92154) | 92154-0415 | 8 |
| BOLT,TORX,6X11.7 (Ref # 92154A) | 92154-1821 | 11 |
| BOLT,FLANGED,6X10 (Ref # 92154B) | 92154-1887 | 4 |
| BOLT,FLANGED-SMALL,6X12 (Ref # 92154C) | 92154-1888 | 1 |
| CLAMP (Ref # 92170) | 92170-1938 | 1 |
| SCREW,TORX,6X14 (Ref # 92172) | 92172-0961 | 2 |
| CLAMP (Ref # 92173) | 92173-2446 | 1 |
| TUBE,10.5X13X80 (Ref # 92192) | 92192-0985 | 1 |
| BOLT-FLANGED,6X10 (Ref # 130) | 130BA0610 | 1 |
| O RING,18MM (Ref # 670) | 670D2018 | 2 |