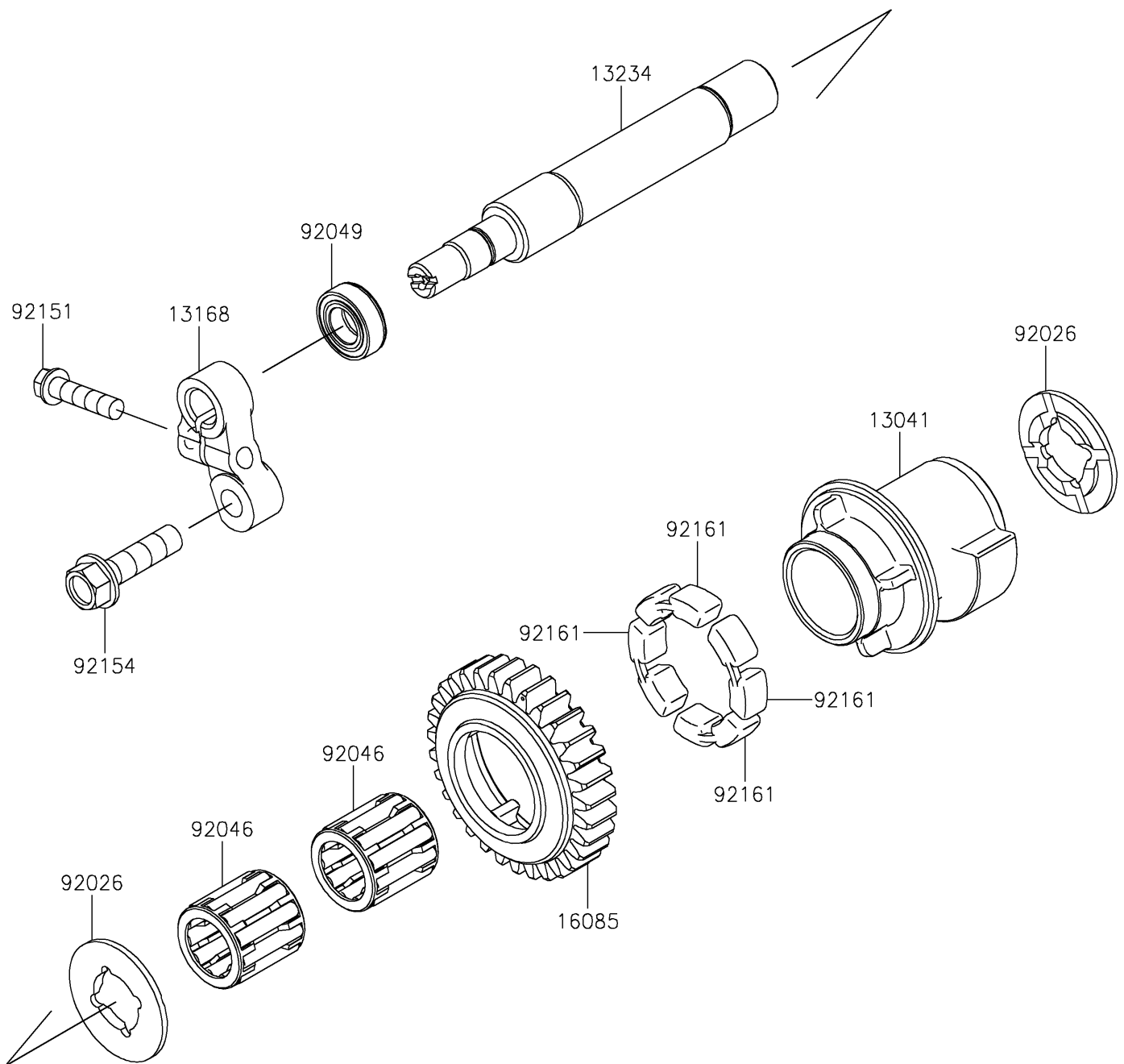


# 2026 NINJA® ZX™-10R

## PARTS DIAGRAM

### Balancer

E1323



# 2026 NINJA® ZX™-10R

## PARTS LIST

### Balancer

ITEM NAME	PART NUMBER	QUANTITY
BALANCER (Ref # 13041)	13041-0553	1
LEVER,BACKLASH ADJUSTMENT (Ref # 13168)	13168-0831	1
SHAFT-COMP (Ref # 13234)	13234-0589	1
GEAR,BALANCER,31T (Ref # 16085)	16085-0684	1
SPACER (Ref # 92026)	92026-0082	2
BEARING-NEEDLE (Ref # 92046)	92046-1266	2
SEAL-OIL (Ref # 92049)	92049-0720	1
BOLT,FLANGED-SMALL,6X25 (Ref # 92151)	92151-1930	1
BOLT,FLANGED,8X30 (Ref # 92154)	92154-1796	1
DAMPER (Ref # 92161)	92161-1055	4