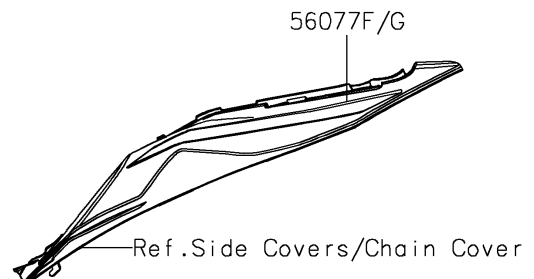
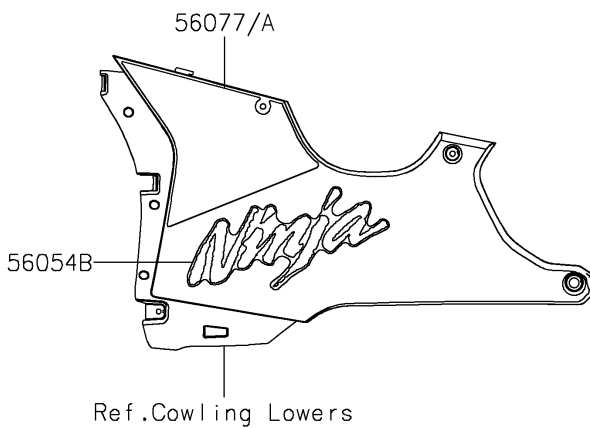
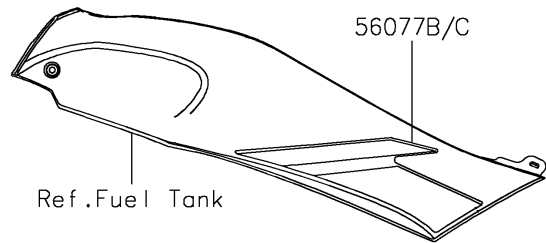
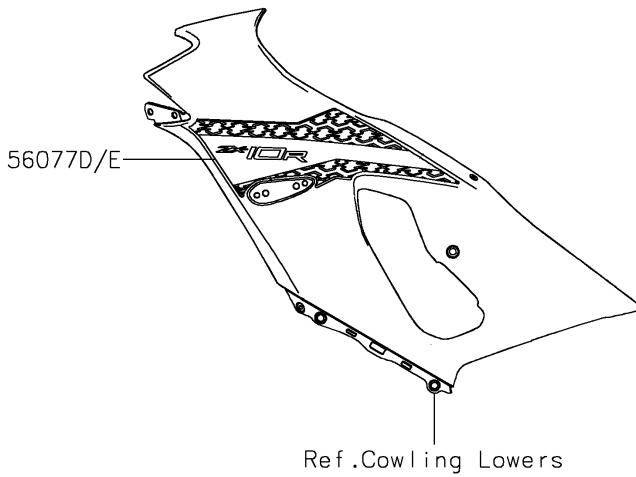
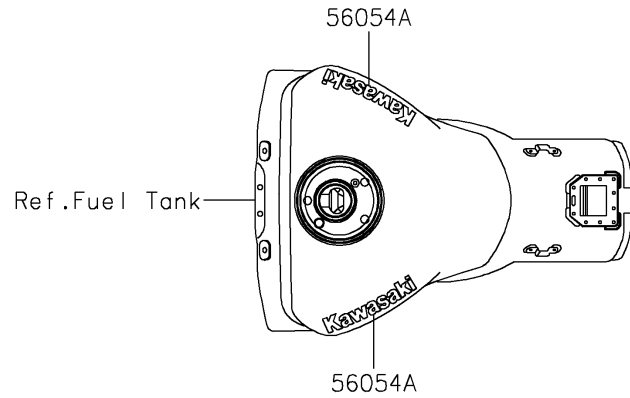
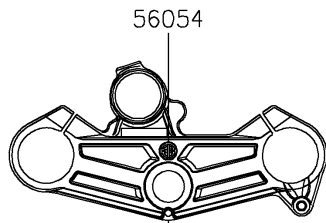


# 2026 Ninja ZX-10R ABS

## PARTS DIAGRAM

Decals(Black)(ATFAN)(CN)

F2861B



# 2026 Ninja ZX-10R ABS

## PARTS LIST

Decals(Black)(ATFAN)(CN)

ITEM NAME	PART NUMBER	QUANTITY
MARK,UPP HOLDER,RIVER (Ref # 56054)	56054-1628	1
MARK,FUEL TANK,KAWASAKI (Ref # 56054A)	56054-2424	2
MARK,LWR COWL.,NINJA (Ref # 56054B)	56054-7080	2
PATTERN,LWR COWL.,LH (Ref # 56077)	56077-7220	1
PATTERN,LWR COWL.,RH (Ref # 56077A)	56077-7221	1
PATTERN,TANK COVER,LH (Ref # 56077B)	56077-7224	1
PATTERN,TANK COVER,RH (Ref # 56077C)	56077-7225	1
PATTERN,SIDE COWL.,LH (Ref # 56077D)	56077-7226	1
PATTERN,SIDE COWL.,RH (Ref # 56077E)	56077-7227	1
PATTERN,TAIL COVER,LH (Ref # 56077F)	56077-7228	1
PATTERN,TAIL COVER,RH (Ref # 56077G)	56077-7229	1