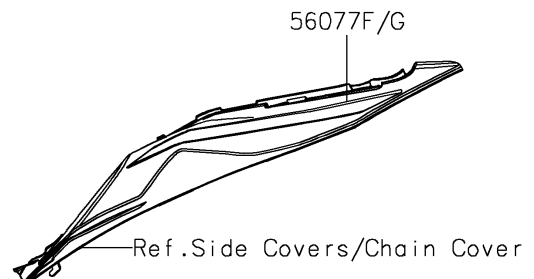
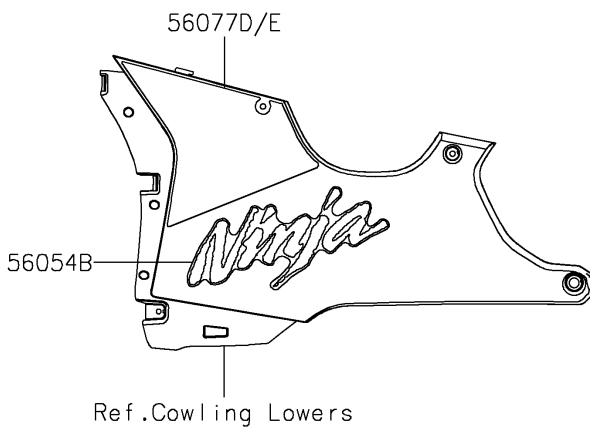
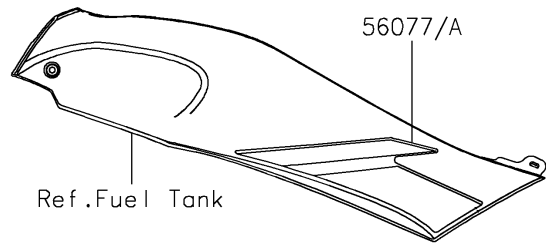
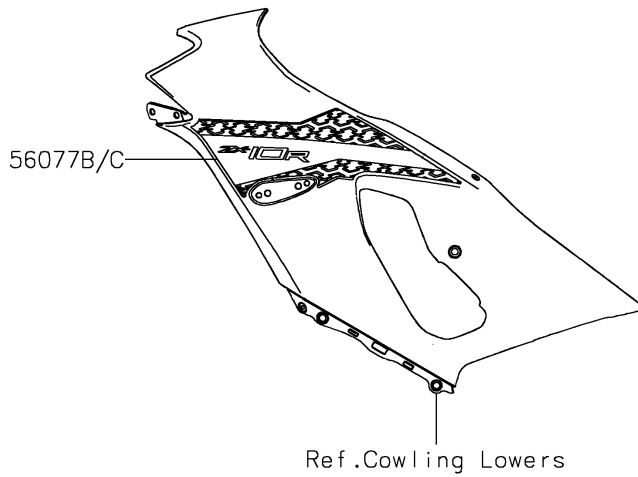
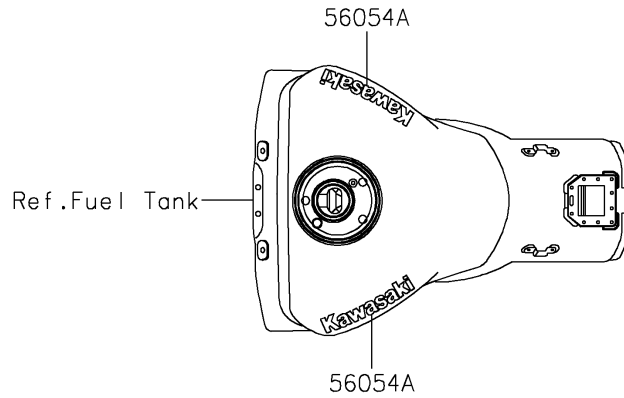
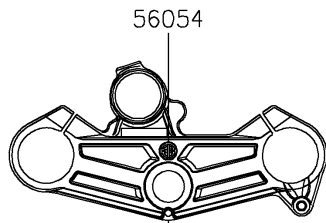


2026 NINJA® ZX™-10R ABS

PARTS DIAGRAM

Decals(Gray)(ATFAN/ATFAL)

F2861A



2026 NINJA® ZX™-10R ABS

PARTS LIST

Decals(Gray)(ATFAN/ATFAL)

ITEM NAME	PART NUMBER	QUANTITY
MARK,UPP HOLDER,RIVER (Ref # 56054)	56054-1628	1
MARK,FUEL TANK,KAWASAKI (Ref # 56054A)	56054-2424	2
MARK,LWR COWL.,NINJA (Ref # 56054B)	56054-7080	2
PATTERN,TANK COVER,LH (Ref # 56077)	56077-7216	1
PATTERN,TANK COVER,RH (Ref # 56077A)	56077-7217	1
PATTERN,SIDE COWL.,LH (Ref # 56077B)	56077-7218	1
PATTERN,SIDE COWL.,RH (Ref # 56077C)	56077-7219	1
PATTERN,LWR COWL.,LH (Ref # 56077D)	56077-7220	1
PATTERN,LWR COWL.,RH (Ref # 56077E)	56077-7221	1
PATTERN,TAIL COVER,LH (Ref # 56077F)	56077-7222	1
PATTERN,TAIL COVER,RH (Ref # 56077G)	56077-7223	1