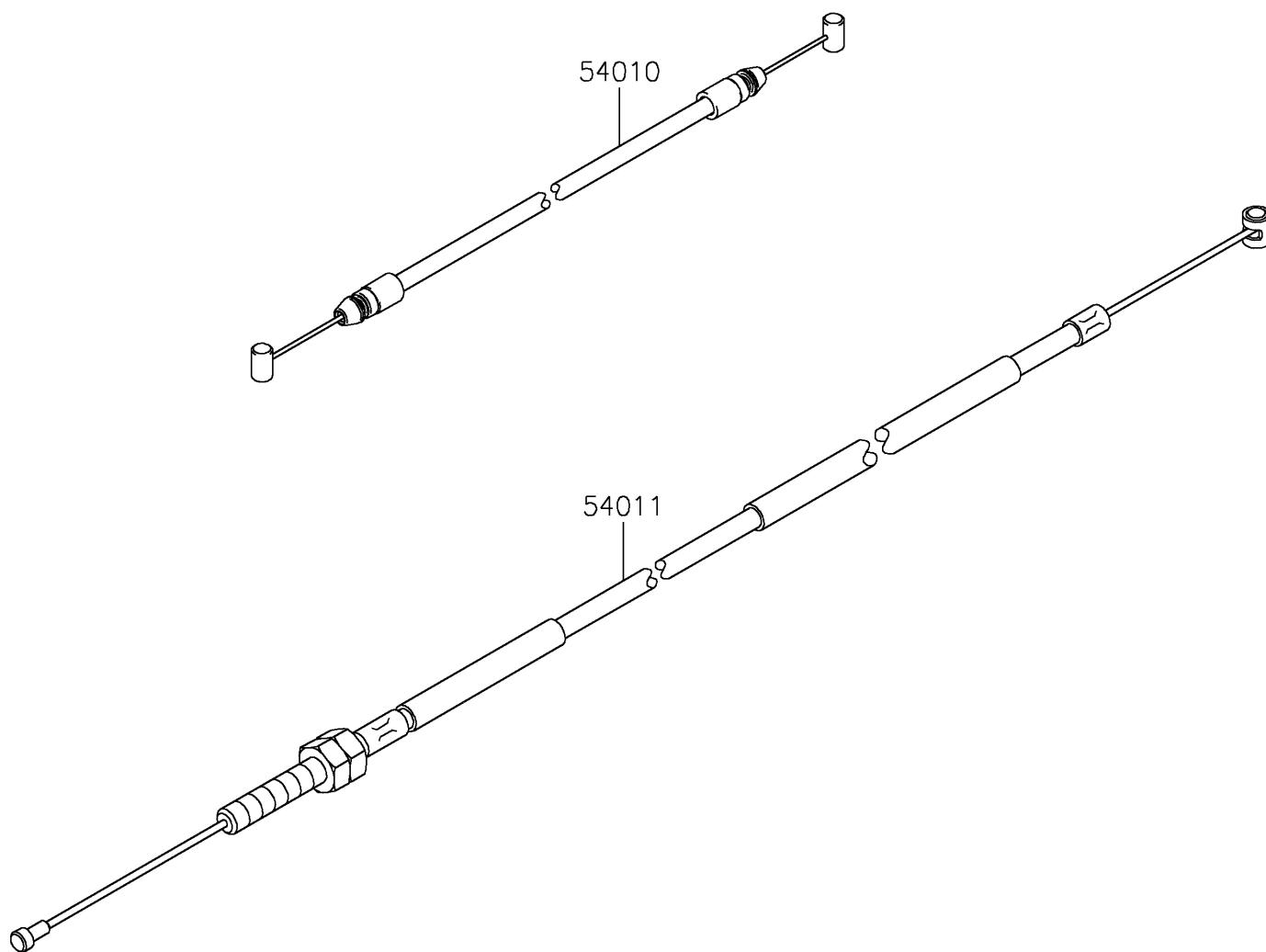


2026 NINJA® ZX™-10R ABS

PARTS DIAGRAM

Cables

F2540



2026 NINJA® ZX™-10R ABS

PARTS LIST

Cables

ITEM NAME	PART NUMBER	QUANTITY
-----------	-------------	----------
