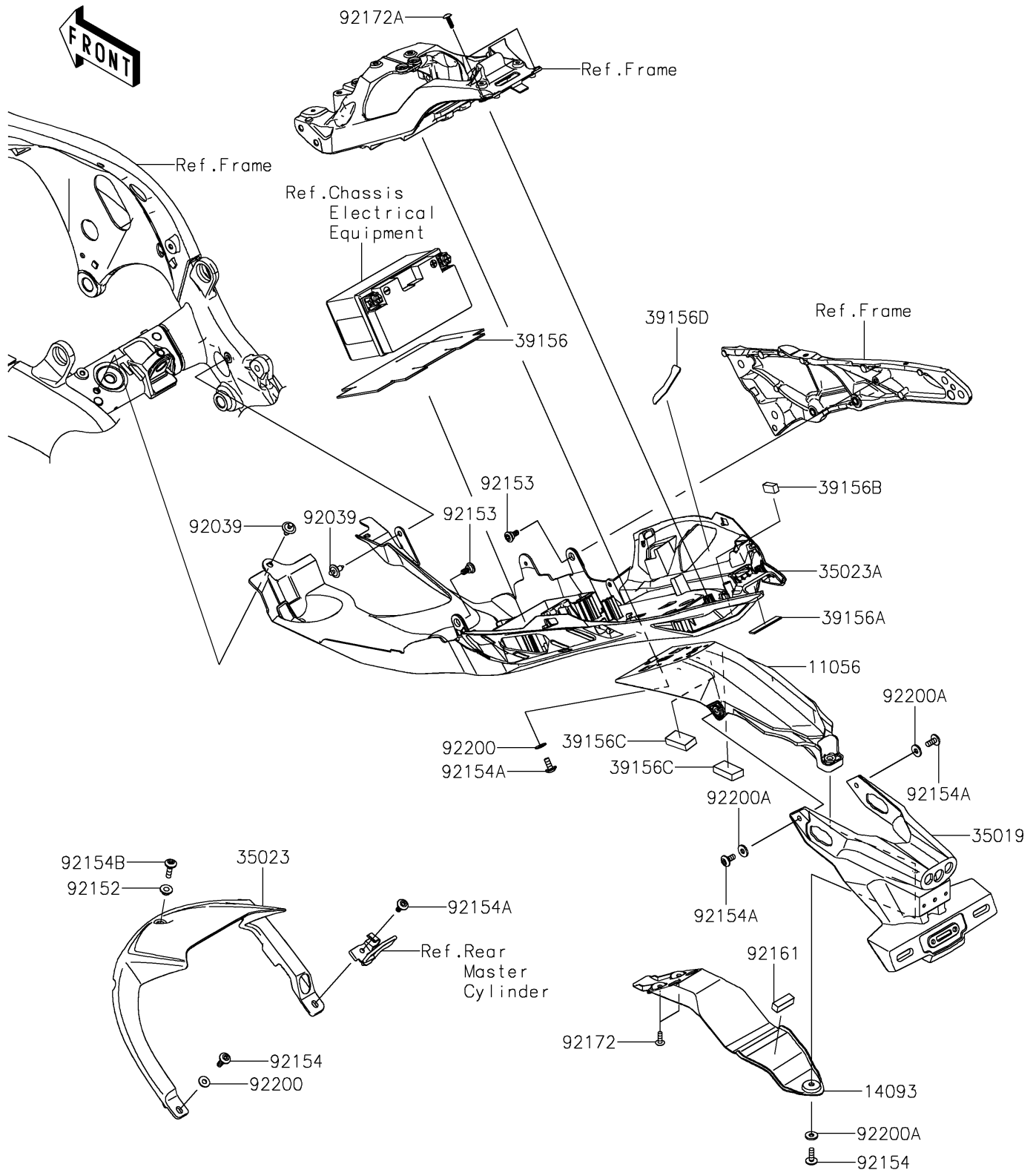


2026 Ninja ZX-10R ABS

PARTS DIAGRAM

Rear Fender(s)

F2172



2026 Ninja ZX-10R ABS

PARTS LIST

Rear Fender(s)

ITEM NAME	PART NUMBER	QUANTITY
BRACKET,FLAP (Ref # 11056)	11056-7677	1
COVER,FLAP (Ref # 14093)	14093-0336	1
FLAP (Ref # 35019)	35019-0667	1
FENDER-REAR,INNER (Ref # 35023)	35023-0188	1
FENDER-REAR (Ref # 35023A)	35023-0477	1
PAD,REAR FENDER (Ref # 39156)	39156-0754	1
PAD,10X50X2 (Ref # 39156A)	39156-1924	1
PAD,20X8X10 (Ref # 39156B)	39156-1968	1
PAD,36X20X9 (Ref # 39156C)	39156-1986	2
PAD,HARNESS,RH (Ref # 39156D)	39156-2736	1
RIVET (Ref # 92039)	92039-1289	2
COLLAR,6.5X10X6.2 (Ref # 92152)	92152-2152	1
BOLT,SOCKET,6MM (Ref # 92153)	92153-1956	2
BOLT,SOCKET,6X18 (Ref # 92154)	92154-1694	2
BOLT,SOCKET,6X14 (Ref # 92154A)	92154-1807	7
BOLT,SOCKET,6X22 (Ref # 92154B)	92154-1810	1
DAMPER,10X30X10 (Ref # 92161)	92161-1835	1
SCREW,TAPPING,5X16 (Ref # 92172)	92172-0175	2
SCREW,TAPPING,5X16 (Ref # 92172A)	92172-0238	2
WASHER,6.2X15X1.2 (Ref # 92200)	92200-1762	5
WASHER,6.5X16X2 (Ref # 92200A)	92200-1834	3