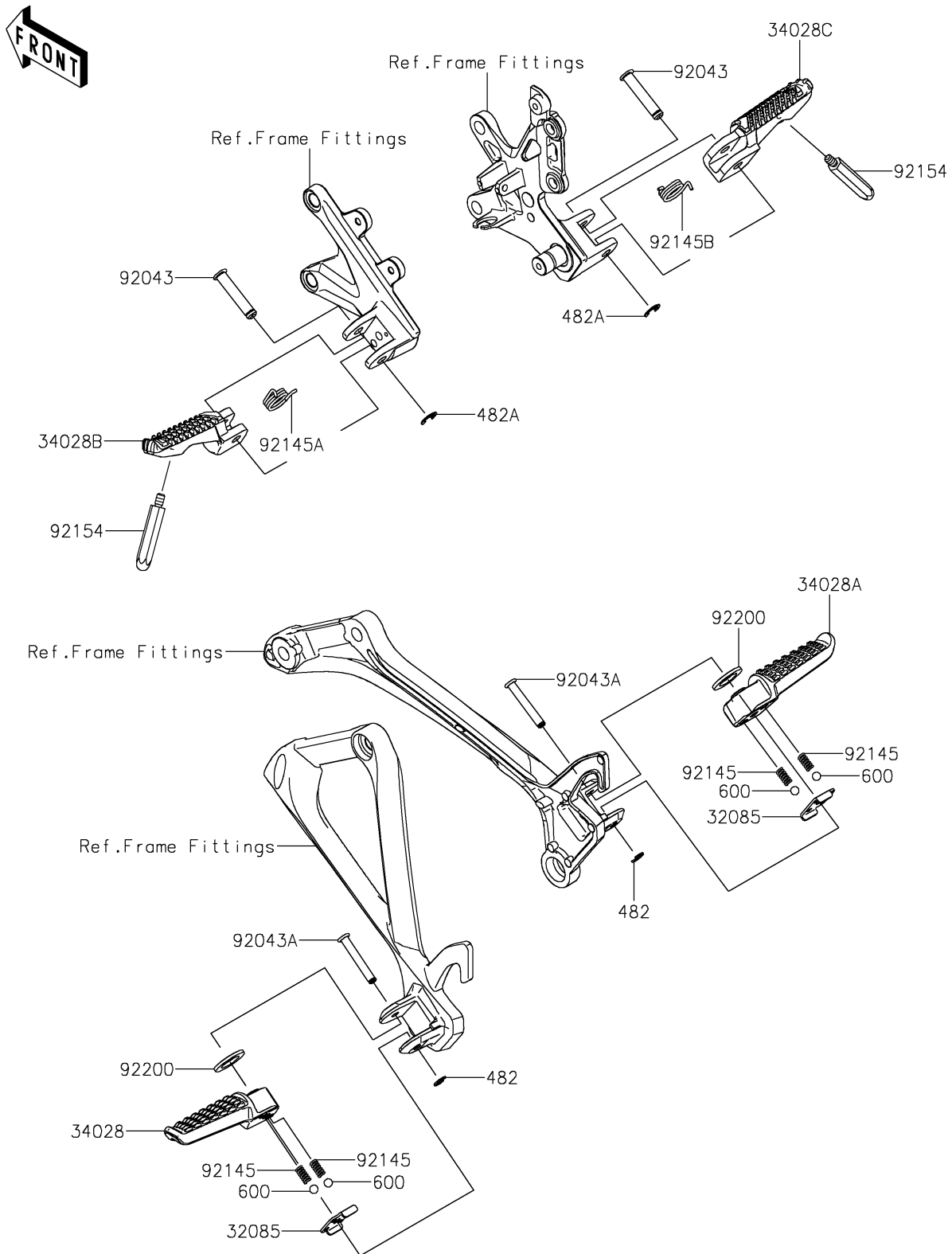


# 2026 NINJA® ZX™-10R ABS

## PARTS DIAGRAM

### Footrests

F2160



# 2026 NINJA® ZX™-10R ABS

## PARTS LIST

### Footrests

ITEM NAME	PART NUMBER	QUANTITY
STOPPER,REAR STEP (Ref # 32085)	32085-0047	2
STEP,RR,LH (Ref # 34028)	34028-0380	1
STEP,RR,RH (Ref # 34028A)	34028-0381	1
STEP,FR,LH (Ref # 34028B)	34028-0384	1
STEP,FR,RH (Ref # 34028C)	34028-0385	1
PIN,8X40.5 (Ref # 92043)	92043-0877	2
PIN,6X40 (Ref # 92043A)	92043-1595	2
SPRING (Ref # 92145)	92145-1319	4
SPRING (Ref # 92145A)	92145-1950	1
SPRING (Ref # 92145B)	92145-2218	1
BOLT,BANK SENSOR (Ref # 92154)	92154-4254	2
WASHER,16X26X2.3 (Ref # 92200)	92200-0043	2
CIRCLIP-TYPE-E (Ref # 482)	482EA5000	2
CIRCLIP-TYPE-E (Ref # 482A)	482EA7000	2
BALL-STEEL,1/4 (Ref # 600)	600A0800	4