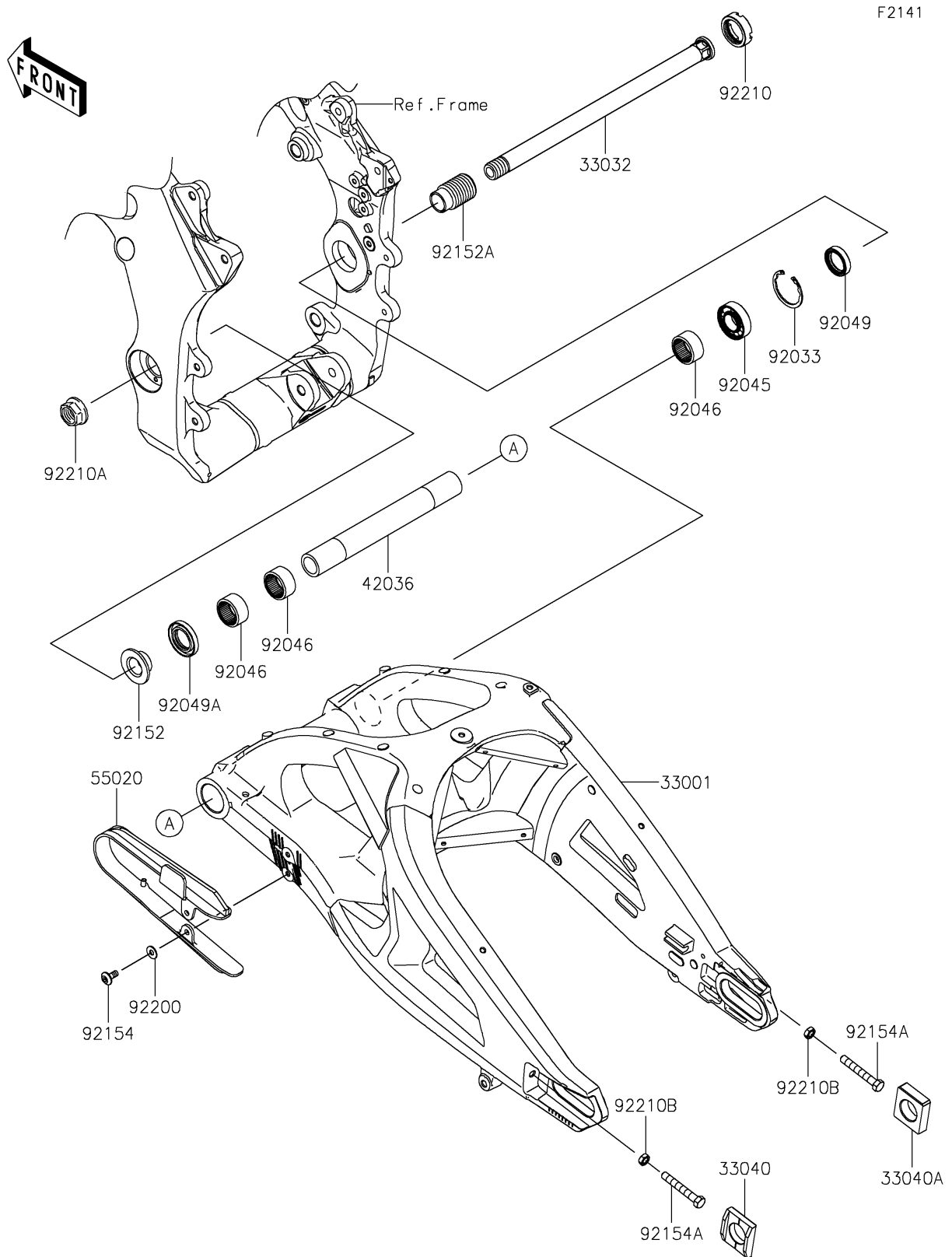


# 2026 NINJA® ZX™-10R ABS

## PARTS DIAGRAM

### Swingarm



# 2026 NINJA® ZX™-10R ABS

## PARTS LIST

### Swingarm

ITEM NAME	PART NUMBER	QUANTITY
ARM-COMP-SWING,F.S.BLACK (Ref # 33001)	33001-0724-18R	1
SHAFT-SWING ARM (Ref # 33032)	33032-0048	1
ADJUSTER-CHAIN,LH (Ref # 33040)	33040-0107	1
ADJUSTER-CHAIN,RH (Ref # 33040A)	33040-1114	1
SLEEVE,SWING ARM PIVOT,L=226 (Ref # 42036)	42036-1341	1
GUARD,CHAIN (Ref # 55020)	55020-0561	1
RING-SNAP,42MM (Ref # 92033)	92033-1041	1
BEARING-BALL,6004UL11 (Ref # 92045)	92045-0017	1
BEARING-NEEDLE,7E-HVS 28X34X17 (Ref # 92046)	92046-0008	3
SEAL-OIL,MHSA25X42X6 (Ref # 92049)	92049-1314	1
SEAL-OIL,MHSA25X34X7 (Ref # 92049A)	92049-1352	1
COLLAR,20.2X25X15 (Ref # 92152)	92152-2169	1
COLLAR,SWING ARM,L=47 (Ref # 92152A)	92152-2980	1
BOLT,SOCKET,6X14 (Ref # 92154)	92154-1807	1
BOLT-SMALL,8X55 (Ref # 92154A)	92154-1962	2
WASHER,6.2X15X1.2 (Ref # 92200)	92200-1762	1
NUT,30MM (Ref # 92210)	92210-0134	1
NUT,FLANGED,20MM (Ref # 92210A)	92210-0320	1
NUT-HEX-SMALL,8MM (Ref # 92210B)	92210-1459	2