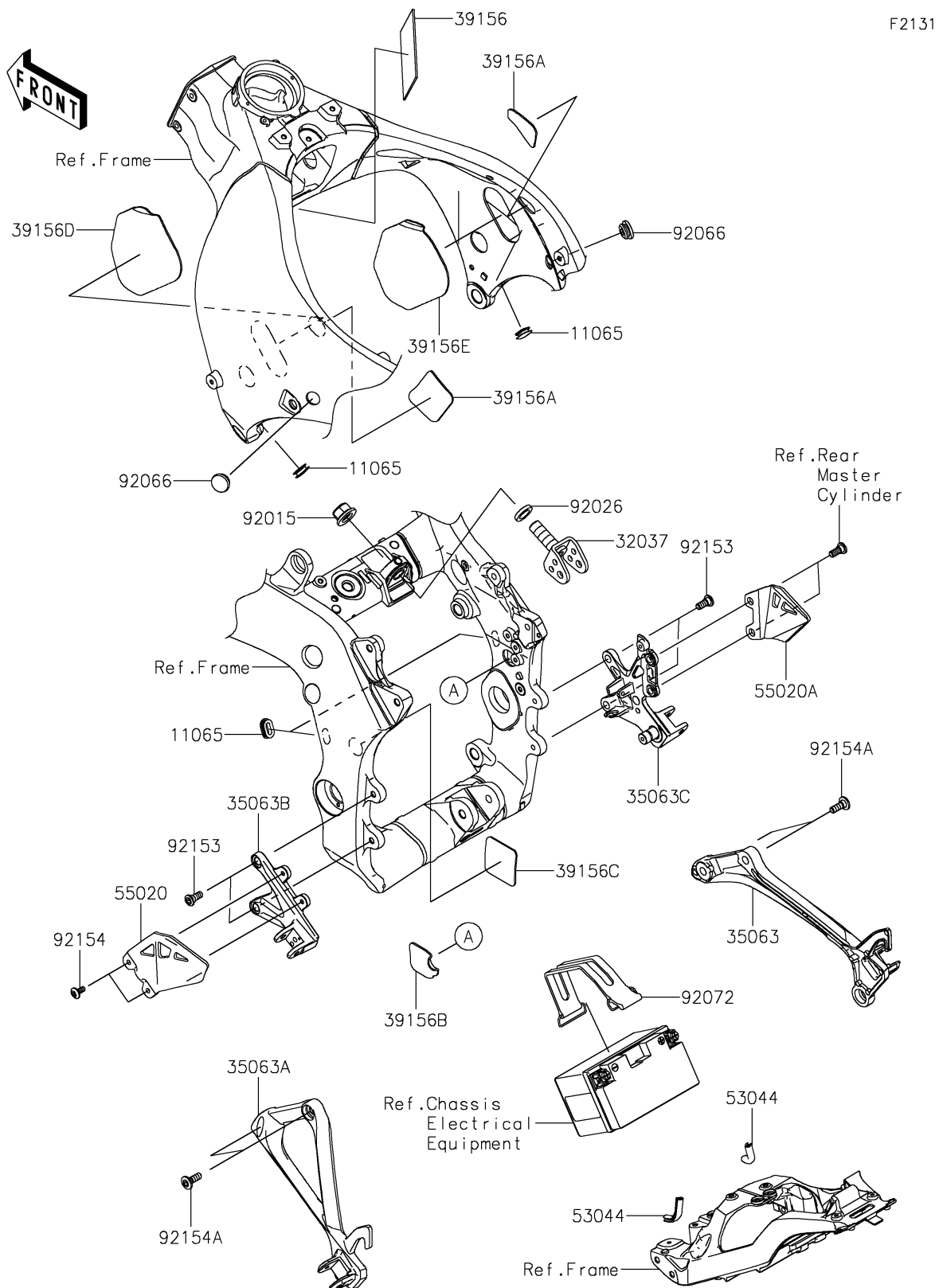


2026 NINJA® ZX™-10R ABS

PARTS DIAGRAM

Frame Fittings



2026 NINJA® ZX™-10R ABS

PARTS LIST

Frame Fittings

| ITEM NAME | PART NUMBER | QUANTITY |
|--|----------------|----------|
| CAP (Ref # 11065) | 11065-0095 | 4 |
| BRACKET-SHOCKABSORBER (Ref # 32037) | 32037-0149 | 1 |
| STAY,RR STEP,RH,F.S.BLACK (Ref # 35063) | 35063-0700-18R | 1 |
| STAY,RR STEP,LH,F.S.BLACK (Ref # 35063A) | 35063-0852-18R | 1 |
| STAY,FR STEP,LH,F.S.BLACK (Ref # 35063B) | 35063-1521-18R | 1 |
| STAY,FR STEP,RH,F.S.BLACK (Ref # 35063C) | 35063-1522-18R | 1 |
| PAD,50X115X2 (Ref # 39156) | 39156-0923 | 1 |
| PAD,55X55X2 (Ref # 39156A) | 39156-1961 | 2 |
| PAD,45X50.5X2 (Ref # 39156B) | 39156-1964 | 1 |
| PAD,55.5X55.5X0.5 (Ref # 39156C) | 39156-2116 | 1 |
| PAD,LH (Ref # 39156D) | 39156-2213 | 1 |
| PAD,RH (Ref # 39156E) | 39156-2214 | 1 |
| TRIM,L=48 (Ref # 53044) | 53044-1324 | 2 |
| GUARD,FR STEP,LH (Ref # 55020) | 55020-0569 | 1 |
| GUARD,FR STEP,RH (Ref # 55020A) | 55020-1944 | 1 |
| NUT,FLANGED,16MM (Ref # 92015) | 92015-1316 | 1 |
| SPACER,16.5X26X4.6 (Ref # 92026) | 92026-0913 | 1 |
| PLUG,17MM (Ref # 92066) | 92066-1320 | 2 |
| BAND,L=168 (Ref # 92072) | 92072-1306 | 1 |
| BOLT,SOCKET,8X20 (Ref # 92153) | 92153-1621 | 4 |
| BOLT,SOCKET,6X14 (Ref # 92154) | 92154-1735 | 2 |
| BOLT,SOCKET,8X23 (Ref # 92154A) | 92154-1968 | 4 |