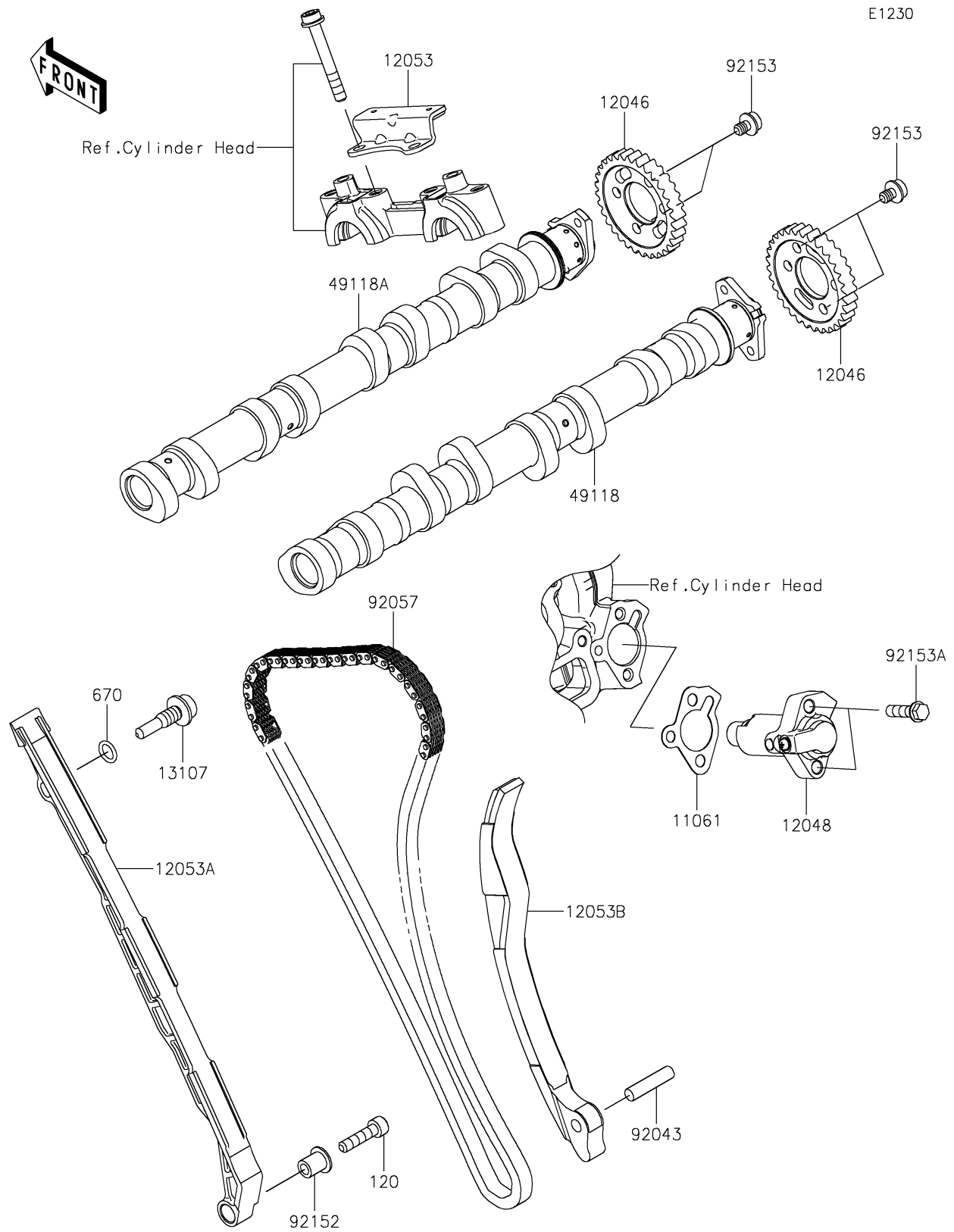


2026 Ninja ZX-10R ABS

PARTS DIAGRAM

Camshaft(s)/Tensioner



2026 Ninja ZX-10R ABS

PARTS LIST

Camshaft(s)/Tensioner

| ITEM NAME | PART NUMBER | QUANTITY |
|--|-------------|----------|
| GASKET,TENSIONER (Ref # 11061) | 11061-0796 | 1 |
| SPROCKET,32T (Ref # 12046) | 12046-0610 | 2 |
| TENSIONER-ASSY (Ref # 12048) | 12048-0120 | 1 |
| GUIDE-CHAIN,UPP (Ref # 12053) | 12053-0264 | 1 |
| GUIDE-CHAIN,FR (Ref # 12053A) | 12053-0265 | 1 |
| GUIDE-CHAIN,RR (Ref # 12053B) | 12053-0266 | 1 |
| SHAFT,CHAIN GUIDE (Ref # 13107) | 13107-0157 | 1 |
| CAMSHAFT-COMP,INTAKE (Ref # 49118) | 49118-0966 | 1 |
| CAMSHAFT-COMP,EXHAUST (Ref # 49118A) | 49118-0967 | 1 |
| PIN,7X30.7 (Ref # 92043) | 92043-0062 | 1 |
| CHAIN,98XRH2020-128N2 (Ref # 92057) | 92057-0755 | 1 |
| COLLAR (Ref # 92152) | 92152-0413 | 1 |
| BOLT,FLANGED,6X8 (Ref # 92153) | 92153-0455 | 4 |
| BOLT,FLANGED-SMALL,6X22 (Ref # 92153A) | 92153-1560 | 2 |
| BOLT-SOCKET,6X25 (Ref # 120) | 120CA0625 | 1 |
| O RING,9MM (Ref # 670) | 670D1509 | 1 |