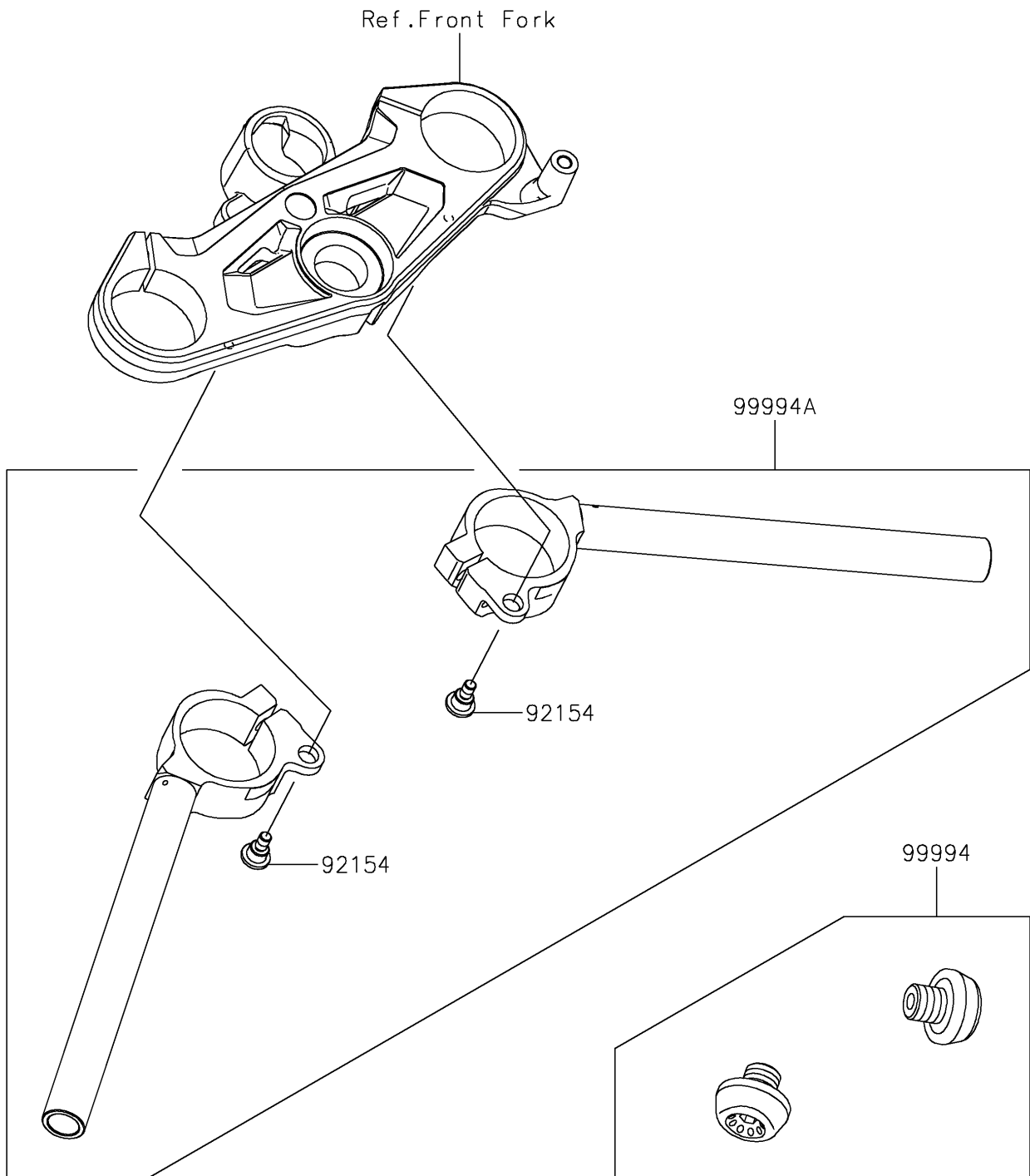


# 2026 Ninja H2 Carbon ABS

## PARTS DIAGRAM

### Accessory(Handle)

F2910A



# 2026 Ninja H2 Carbon ABS

## PARTS LIST

Accessory(Handle)

**ITEM NAME**

**PART NUMBER**

**QUANTITY**

---