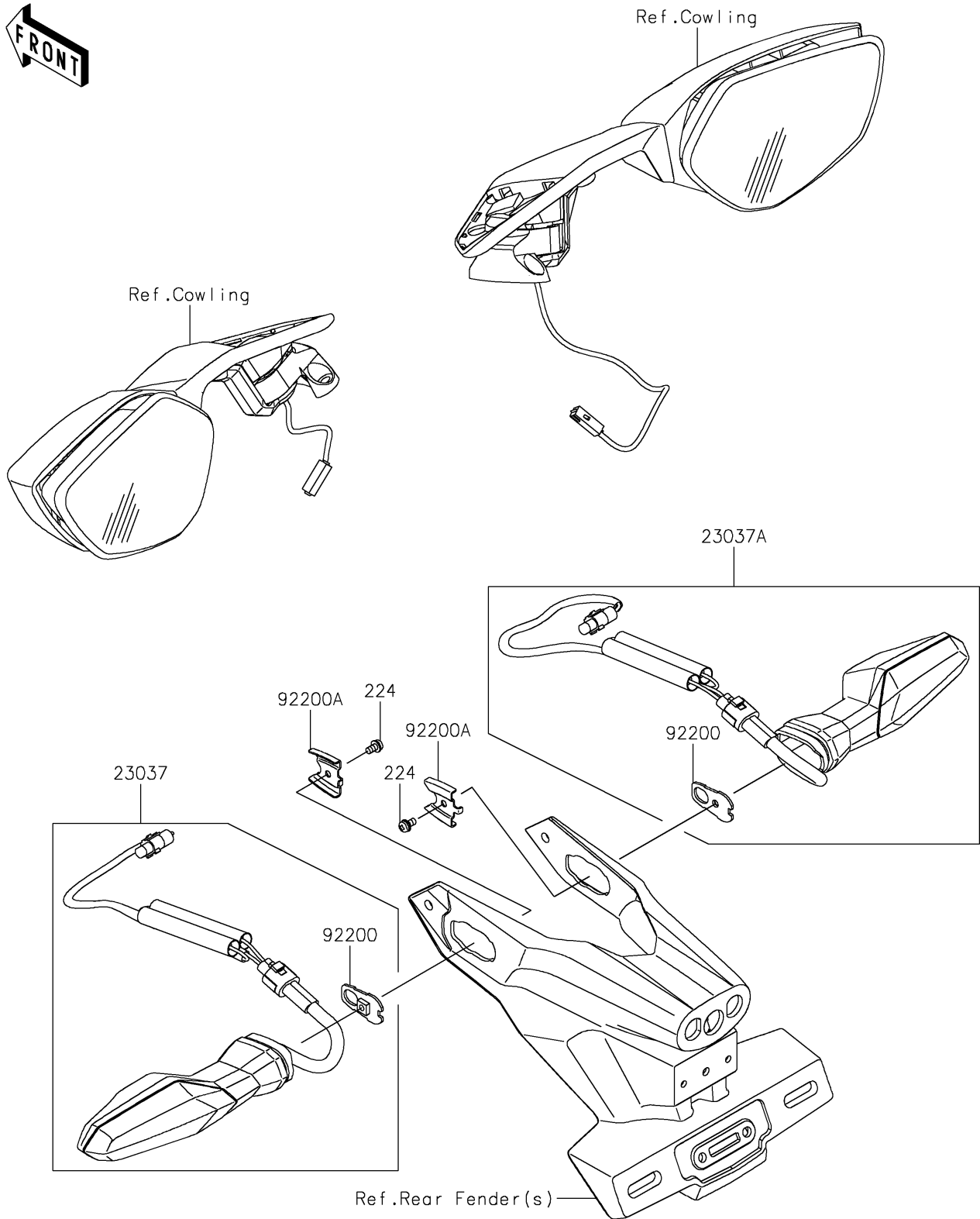


2026 NINJA H2[®] ABS

PARTS DIAGRAM

Turn Signals

F2730



2026 NINJA H2[®] ABS

PARTS LIST

Turn Signals

ITEM NAME	PART NUMBER	QUANTITY
LAMP-ASSY-SIGNAL,LED,RR,LH (Ref # 23037)	23037-0324	1
LAMP-ASSY-SIGNAL,LED,RR,RH (Ref # 23037A)	23037-0325	1
WASHER,NUT 4MM (Ref # 92200)	92200-0854	2
WASHER (Ref # 92200A)	92200-0855	2
SCREW-PAN-WP-CROS,4X8 (Ref # 224)	224AB0408	2