

# 2026 NINJA H2<sup>®</sup> ABS

## PARTS DIAGRAM

### Cables

F2540



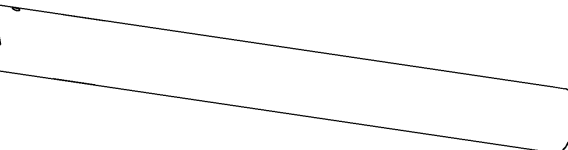
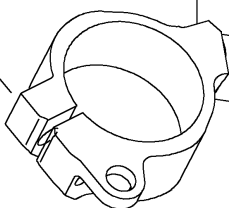
Ref. Hand lebar



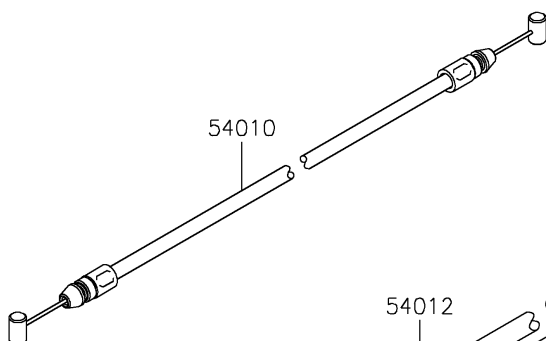
92173



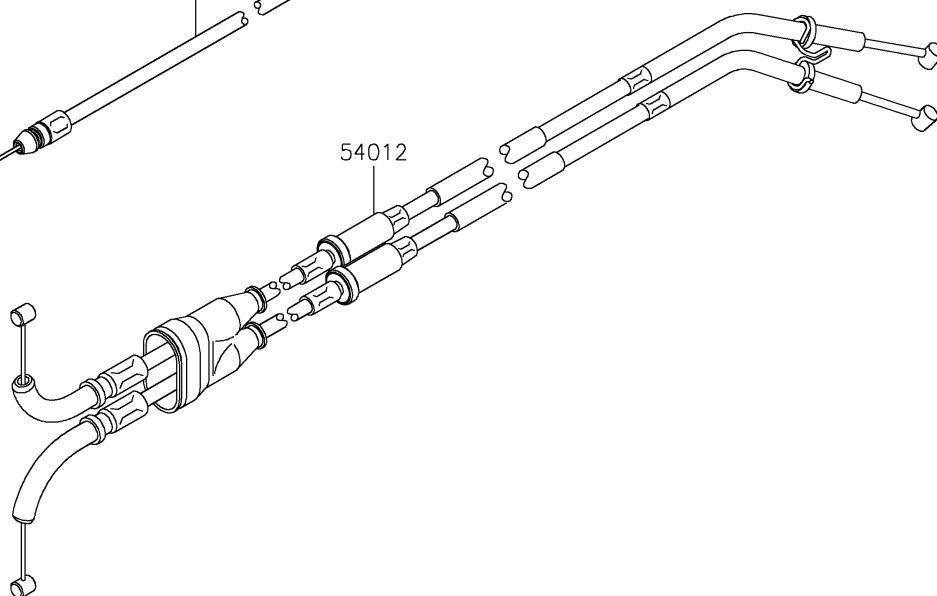
Ref. Hand lebar



54010



54012



# 2026 NINJA H2<sup>®</sup> ABS

## PARTS LIST

### Cables

**ITEM NAME**

**PART NUMBER**

**QUANTITY**

---