

2026 Ninja H2 ABS

PARTS DIAGRAM

Cables

F2540



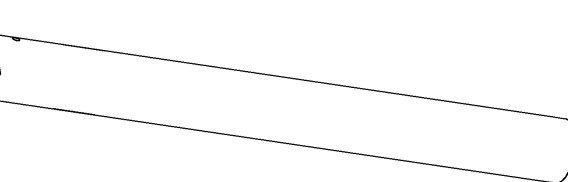
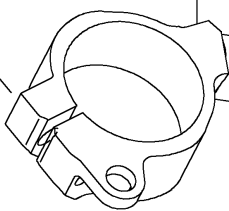
Ref. Hand lebar



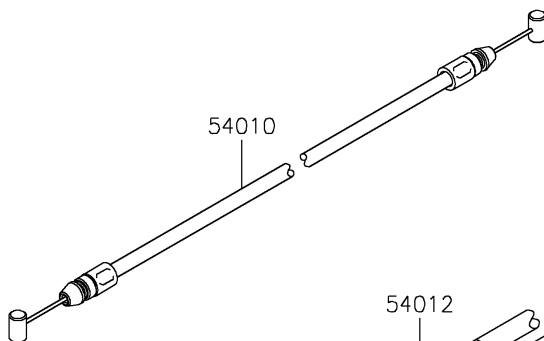
92173



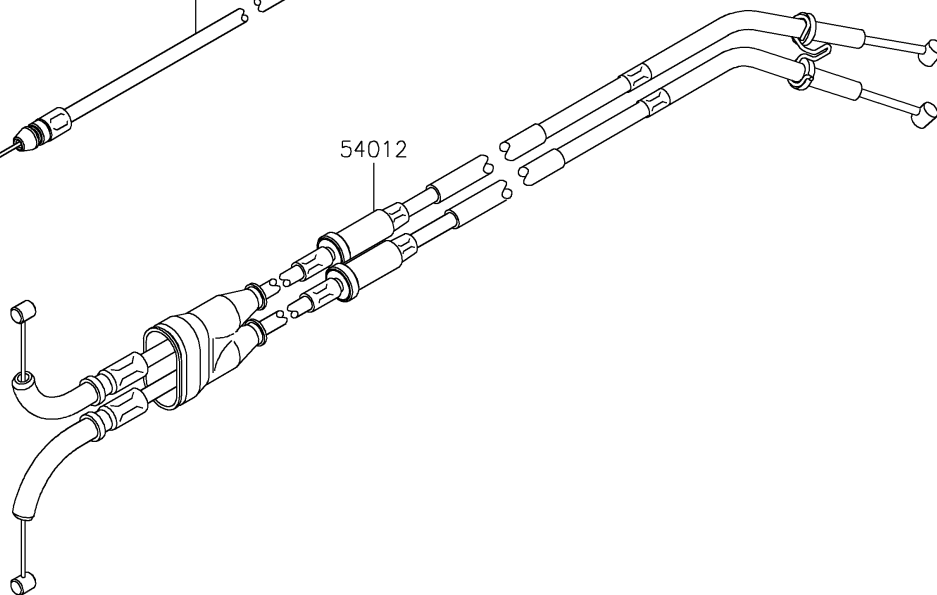
Ref. Hand lebar



54010



54012



2026 Ninja H2 ABS

PARTS LIST

Cables

ITEM NAME	PART NUMBER	QUANTITY
CABLE,SEAT LOCK (Ref # 54010)	54010-0573	1
CABLE-THROTTLE (Ref # 54012)	54012-0676	1
CLAMP,THROTTLE CABLE (Ref # 92173)	92173-1962	1