

2026 NINJA H2[®] CARBON ABS

PARTS DIAGRAM

Cables

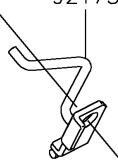
F2540



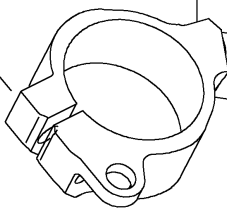
Ref. Hand lebar



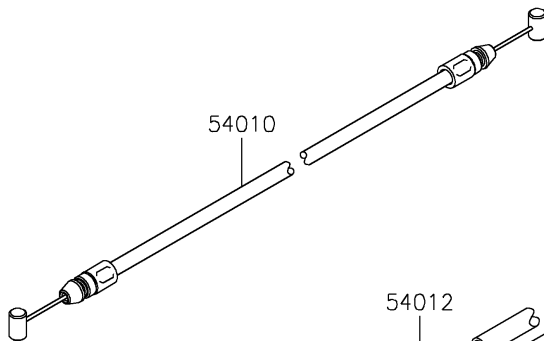
92173



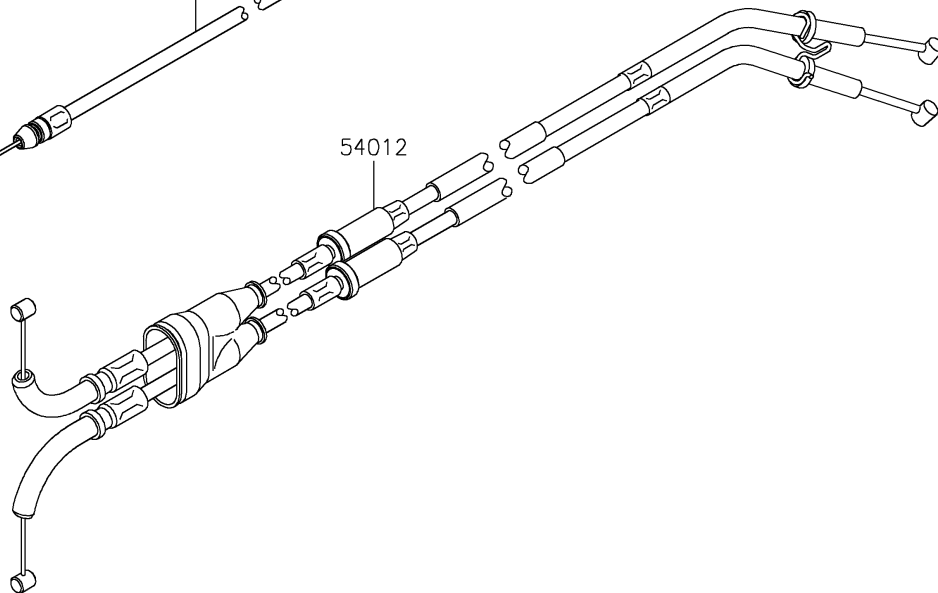
Ref. Hand lebar



54010



54012



2026 NINJA H2[®] CARBON ABS

PARTS LIST

Cables

ITEM NAME	PART NUMBER	QUANTITY
CABLE,SEAT LOCK (Ref # 54010)	54010-0573	1
CABLE-THROTTLE (Ref # 54012)	54012-0676	1
CLAMP,THROTTLE CABLE (Ref # 92173)	92173-1962	1