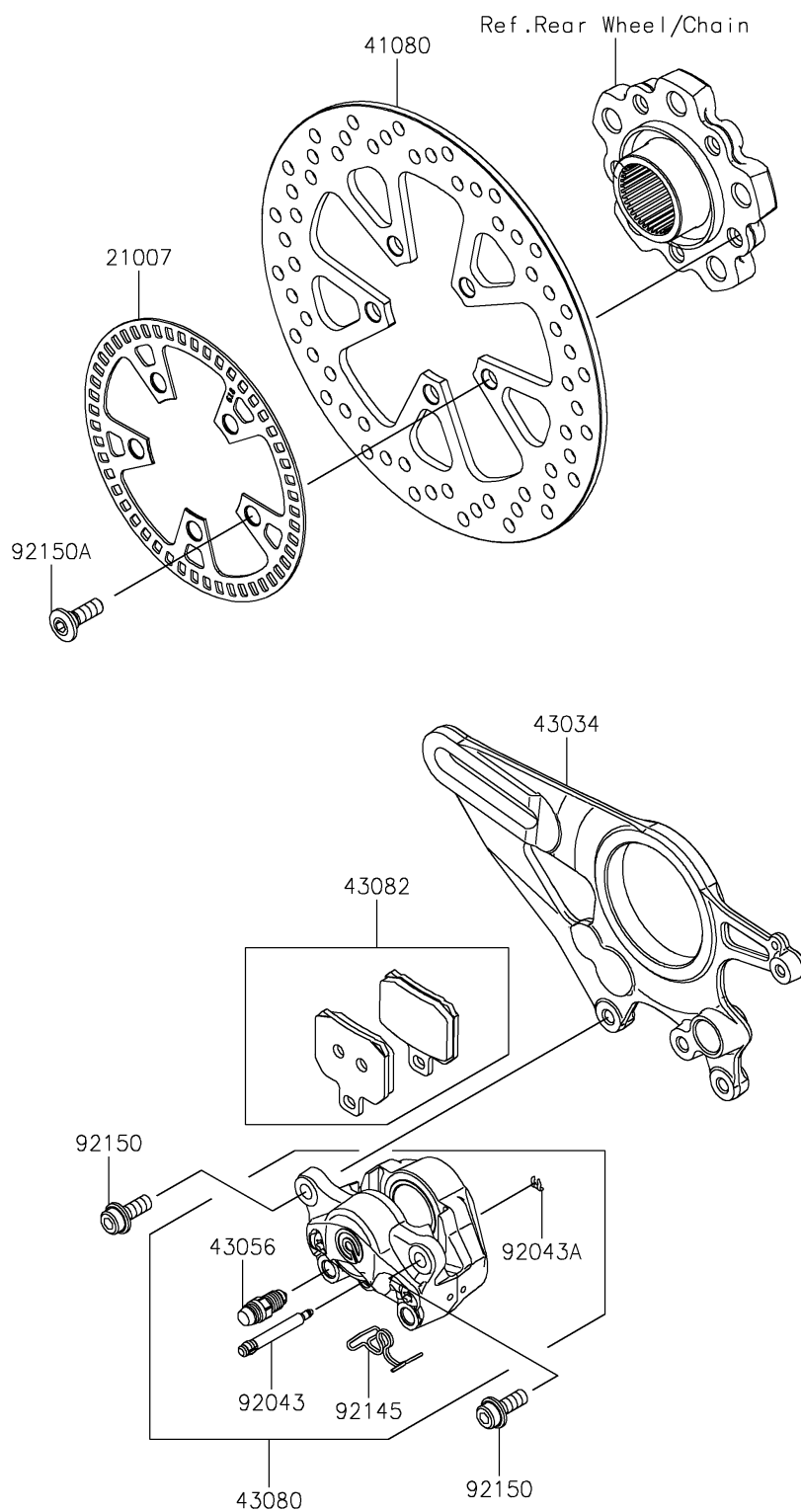


# 2026 NINJA H2<sup>®</sup> ABS

## PARTS DIAGRAM

### Rear Brake

F2294



# 2026 NINJA H2<sup>®</sup> ABS

## PARTS LIST

### Rear Brake

| ITEM NAME                              | PART NUMBER    | QUANTITY |
|--|----------------|----------|
| ROTOR,SENSOR,RR (Ref # 21007)          | 21007-0632     | 1        |
| DISC,RR,250MM (Ref # 41080)            | 41080-0636     | 1        |
| HOLDER-BRAKE,RR (Ref # 43034)          | 43034-0108     | 1        |
| BREATHER-BRAKE (Ref # 43056)           | 43056-0020     | 1        |
| CALIPER-SUB-ASSY,RR,GRAY (Ref # 43080) | 43080-0176-51J | 1        |
| PAD-ASSY-BRAKE (Ref # 43082)           | 43082-0158     | 1        |
| PIN,PAD (Ref # 92043)                  | 92043-0863     | 1        |
| PIN,CLIP (Ref # 92043A)                | 92043-0864     | 1        |
| SPRING (Ref # 92145)                   | 92145-1685     | 1        |
| BOLT,SOCKET,8X20 (Ref # 92150)         | 92150-1155     | 2        |
| BOLT,8X25 (Ref # 92150A)               | 92150-1858     | 5        |