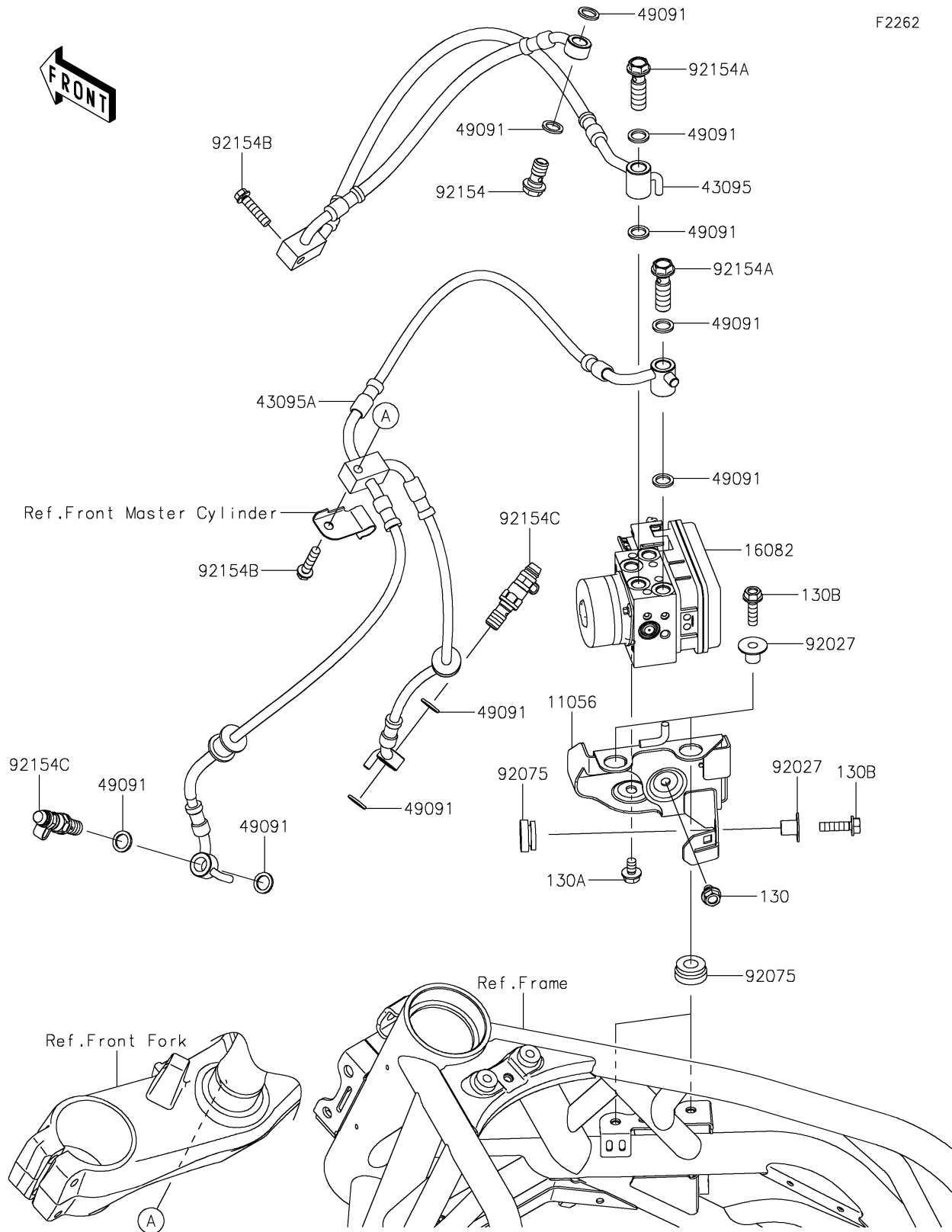


2026 Ninja H2 ABS

PARTS DIAGRAM

Brake Piping

F2262



2026 Ninja H2 ABS

PARTS LIST

Brake Piping

| ITEM NAME | PART NUMBER | QUANTITY |
|---|-------------|----------|
| BRACKET,ABS UNIT (Ref # 11056) | 11056-7852 | 1 |
| PUMP-ASSY-OIL,ABS,9.1MP (Ref # 16082) | 16082-0822 | 1 |
| HOSE-BRAKE,M/C-HU (Ref # 43095) | 43095-0854 | 1 |
| HOSE-BRAKE,HU-FR CALIPER (Ref # 43095A) | 43095-1631 | 1 |
| WASHER-SEAL,10.1X14.5X1.5 (Ref # 49091) | 49091-0001 | 10 |
| COLLAR,L=12 (Ref # 92027) | 92027-1062 | 3 |
| DAMPER (Ref # 92075) | 92075-277 | 3 |
| BOLT,BANJO,10X19 (Ref # 92154) | 92154-1554 | 1 |
| BOLT,BANJO,10X32.3 (Ref # 92154A) | 92154-1555 | 2 |
| BOLT,FLANGED,6X25 (Ref # 92154B) | 92154-1849 | 2 |
| BOLT,BANJO,10X19 (Ref # 92154C) | 92154-4032 | 2 |
| BOLT-FLANGED,6X8 (Ref # 130) | 130BB0608 | 1 |
| BOLT-FLANGED,6X10 (Ref # 130A) | 130BB0610 | 1 |
| BOLT-FLANGED,6X22 (Ref # 130B) | 130BB0622 | 3 |