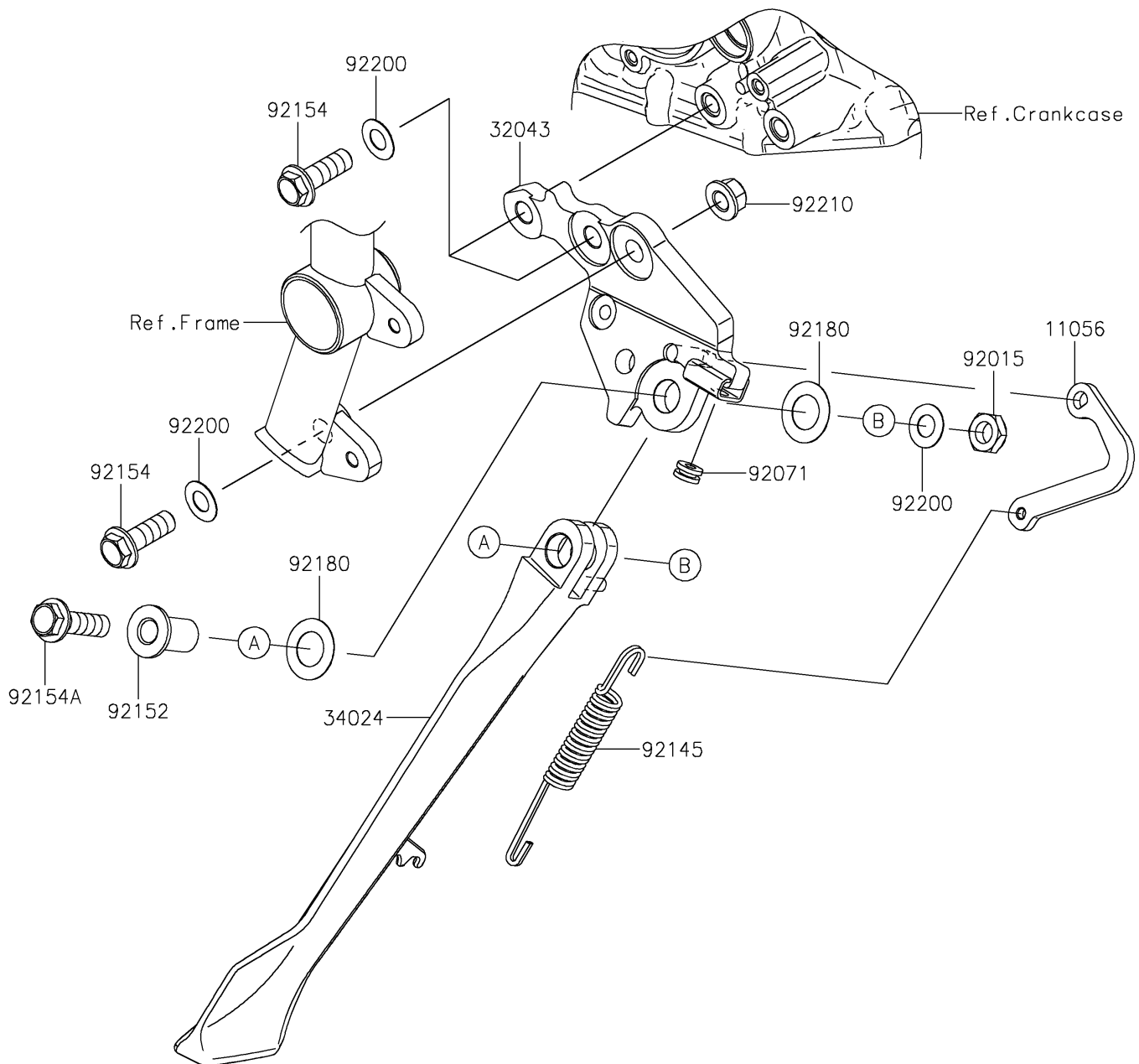


2026 NINJA H2® ABS

PARTS DIAGRAM

Stand(s)

F2190



2026 NINJA H2[®] ABS

PARTS LIST

Stand(s)

ITEM NAME

PART NUMBER

QUANTITY
