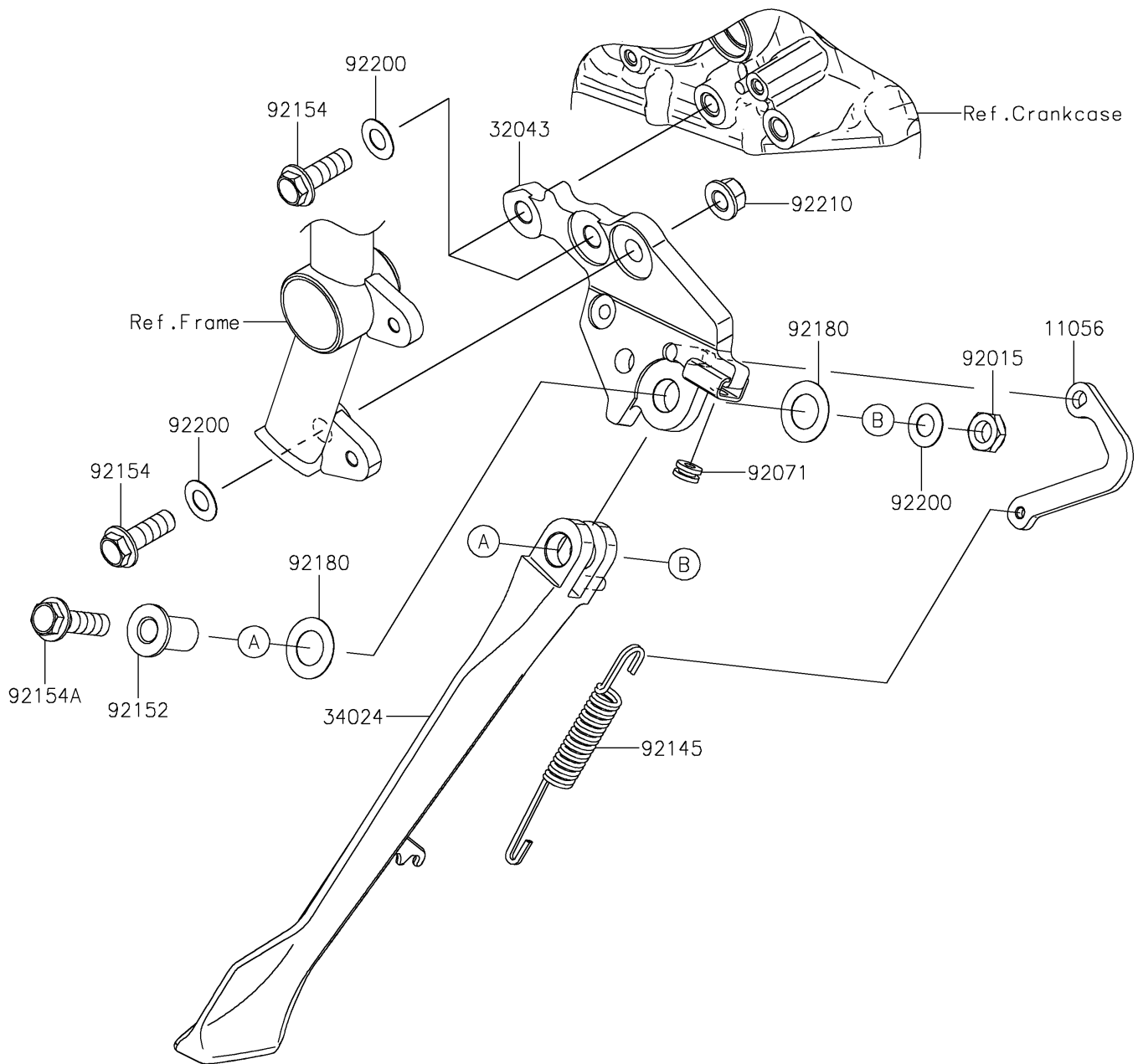


# 2026 Ninja H2 ABS

## PARTS DIAGRAM

Stand(s)

F2190



# 2026 Ninja H2 ABS

## PARTS LIST

### Stand(s)

ITEM NAME	PART NUMBER	QUANTITY
BRACKET, LINK (Ref # 11056)	11056-4484	1
BRACKET-STAND (Ref # 32043)	32043-0609	1
STAND-SIDE (Ref # 34024)	34024-0135	1
NUT, LOCK, 10MM, BLACK (Ref # 92015)	92015-1188	1
GROMMET, 1.8X12X6 (Ref # 92071)	92071-2126	1
SPRING, SIDE STAND (Ref # 92145)	92145-1639	1
COLLAR, 10.2X24X27.6 (Ref # 92152)	92152-1951	1
BOLT, FLANGED, 10X30 (Ref # 92154)	92154-1645	3
BOLT, FLANGED, 10X35 (Ref # 92154A)	92154-1808	1
SHIM, 16X28X0.4 (Ref # 92180)	92180-0812	2
WASHER, 10.2X20X0.5 (Ref # 92200)	92200-1732	4
NUT, LOCK, FLANGED, 10MM (Ref # 92210)	92210-1139	1