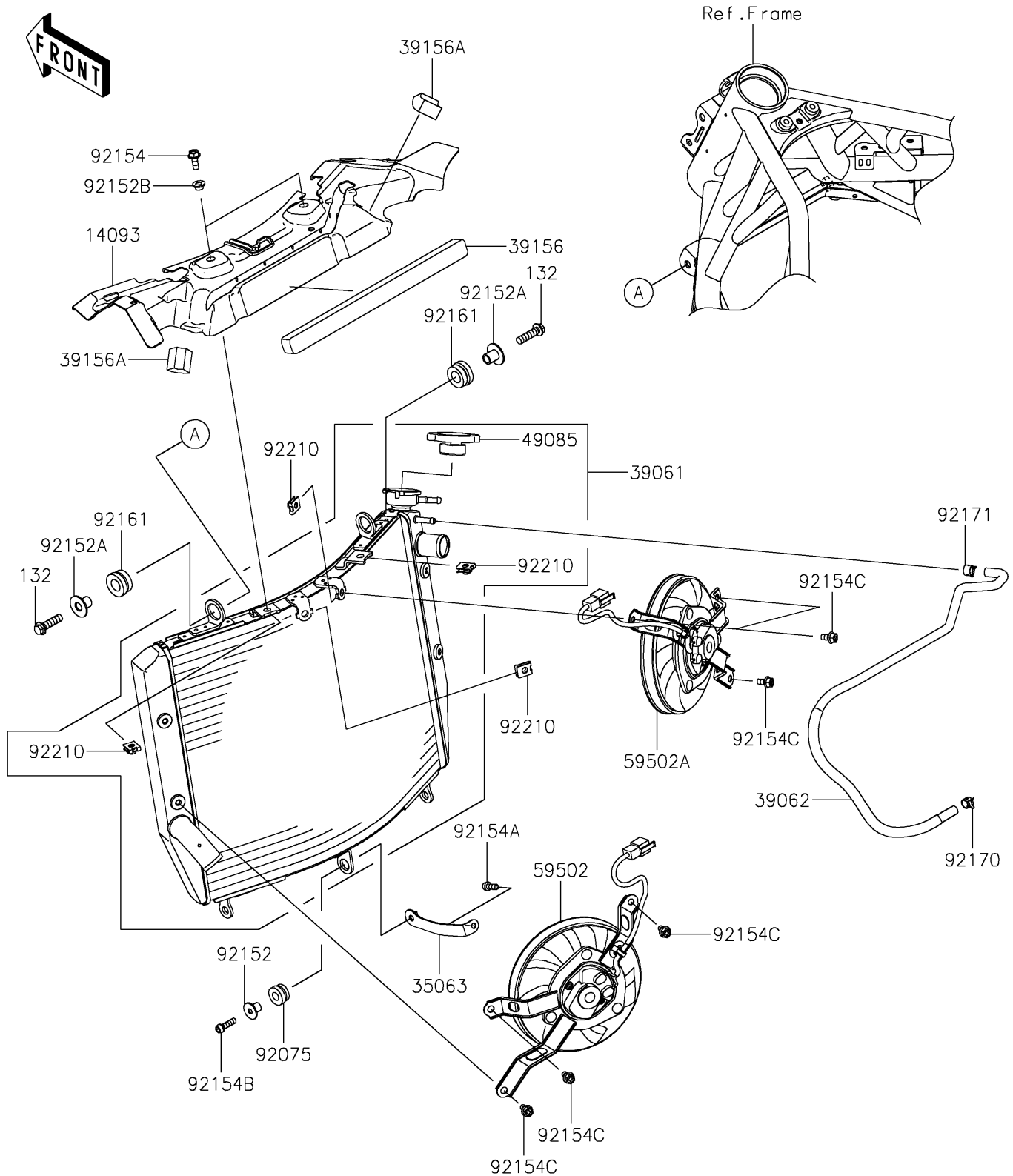


# 2026 NINJA H2<sup>®</sup> CARBON ABS

## PARTS DIAGRAM

### Radiator

E3032



# 2026 NINJA H2<sup>®</sup> CARBON ABS

## PARTS LIST

### Radiator

ITEM NAME	PART NUMBER	QUANTITY
COVER,HEAT (Ref # 14093)	14093-0158	1
STAY,RADIATOR (Ref # 35063)	35063-0997	1
RADIATOR-ASSY (Ref # 39061)	39061-0698	1
HOSE-COOLING,AIR BLEED (Ref # 39062)	39062-0688	1
PAD,20X285X15 (Ref # 39156)	39156-1840	1
PAD,27X27X15 (Ref # 39156A)	39156-1841	2
CAP-ASSY-PRESSURE (Ref # 49085)	49085-0006	1
FAN-ASSY (Ref # 59502)	59502-0601	1
FAN-ASSY (Ref # 59502A)	59502-0602	1
DAMPER,RUBBER (Ref # 92075)	92075-1123	1
COLLAR,6.5X10X13.1 (Ref # 92152)	92152-0332	1
COLLAR (Ref # 92152A)	92152-0439	2
COLLAR (Ref # 92152B)	92152-2111	2
BOLT,FLANGED,6X16 (Ref # 92154)	92154-0887	2
BOLT,SOCKET,6X16 (Ref # 92154A)	92154-1454	1
BOLT,SOCKET,6X22 (Ref # 92154B)	92154-1456	1
BOLT (Ref # 92154C)	92154-1648	6
DAMPER (Ref # 92161)	92161-0304	2
CLAMP (Ref # 92170)	92170-1493	1
CLAMP (Ref # 92171)	92171-0719	1
NUT (Ref # 92210)	92210-1323	4
BOLT-FLANGED-SMALL,8X30 (Ref # 132)	132BC0830	2