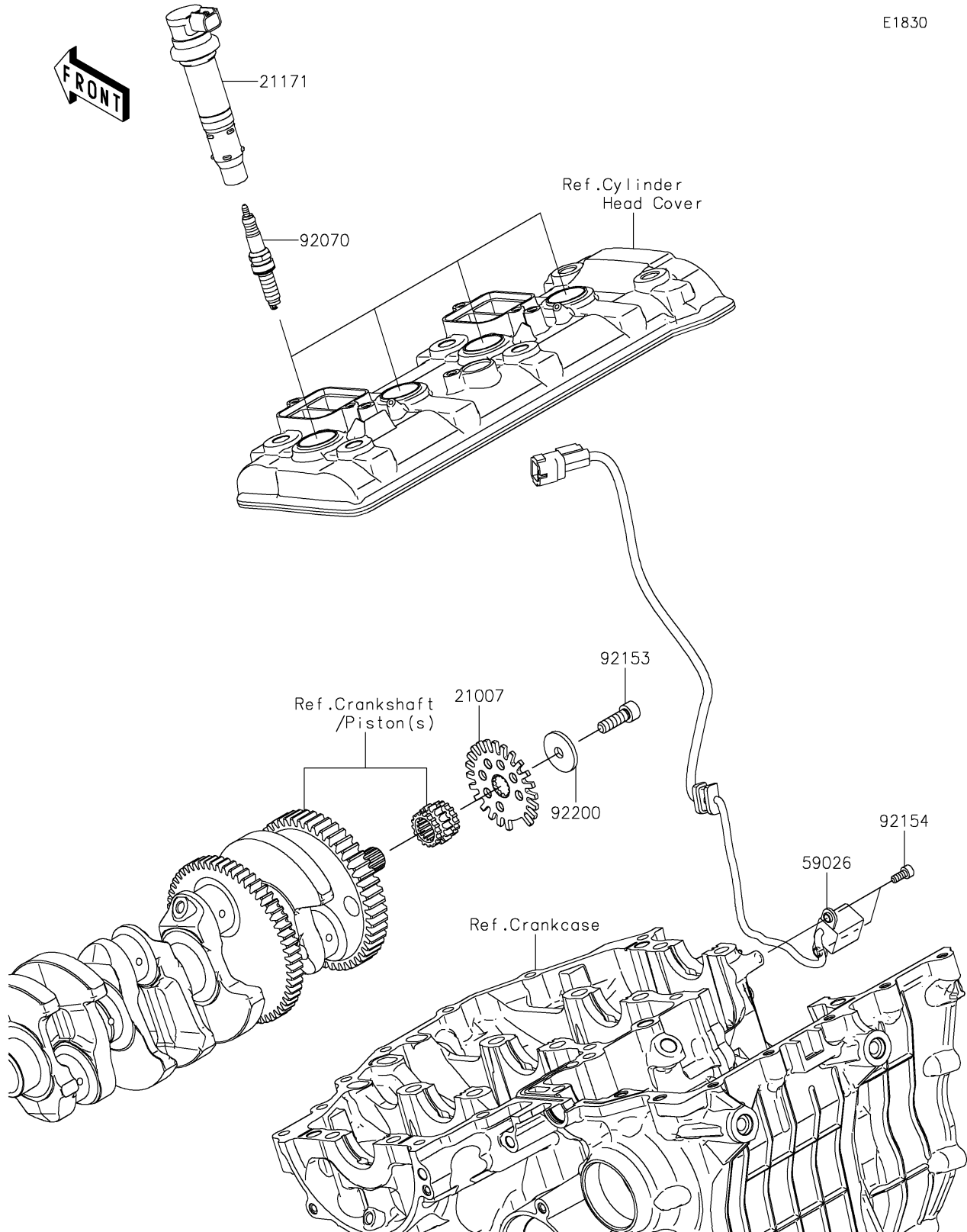


2026 NINJA H2[®] ABS

PARTS DIAGRAM

Ignition System

E1830



2026 NINJA H2[®] ABS

PARTS LIST

Ignition System

ITEM NAME

PART NUMBER

QUANTITY
