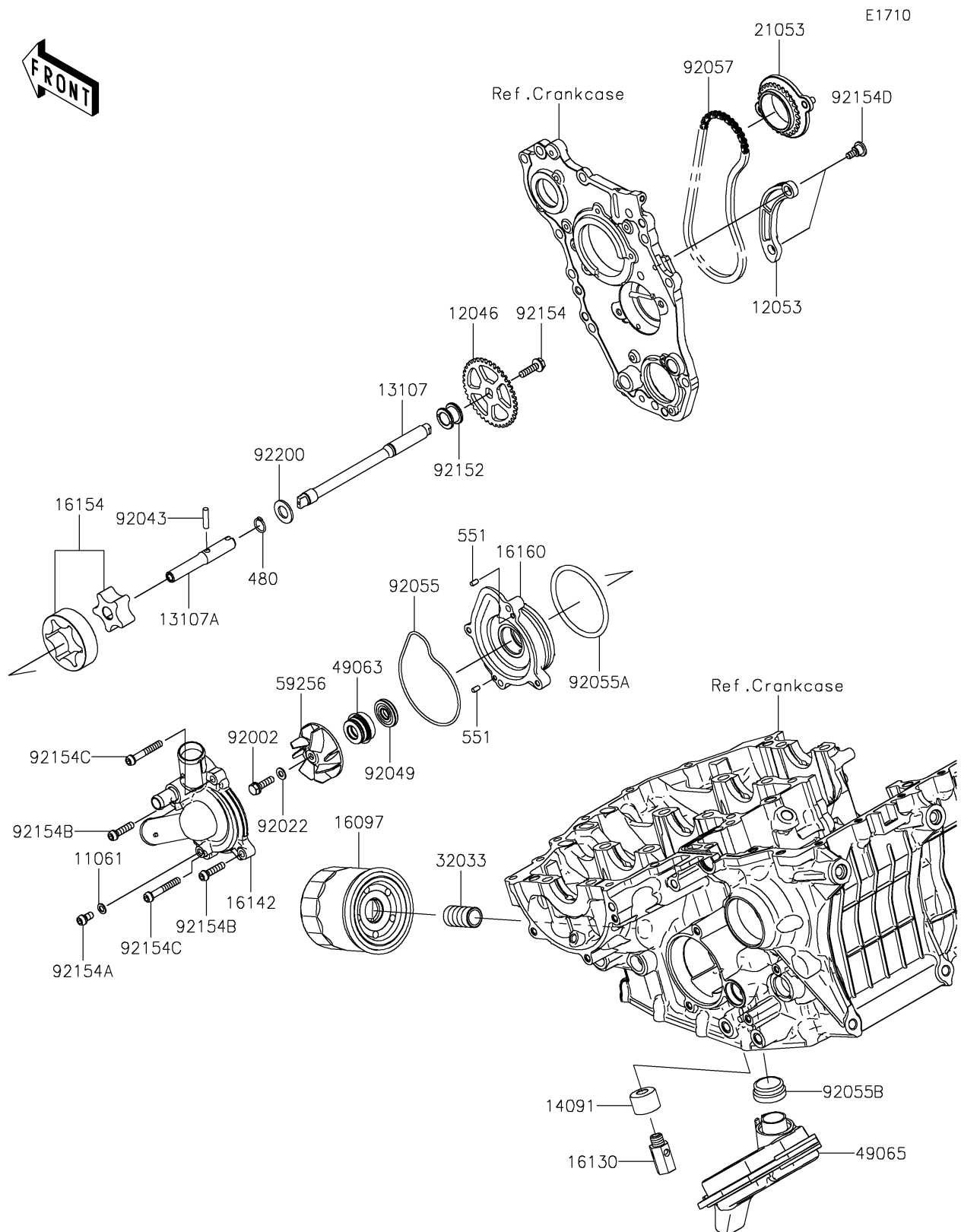


2026 NINJA H2[®] CARBON ABS

PARTS DIAGRAM

Oil Pump/Oil Filter



2026 NINJA H2[®] CARBON ABS

PARTS LIST

Oil Pump/Oil Filter

ITEM NAME	PART NUMBER	QUANTITY
-----------	-------------	----------
