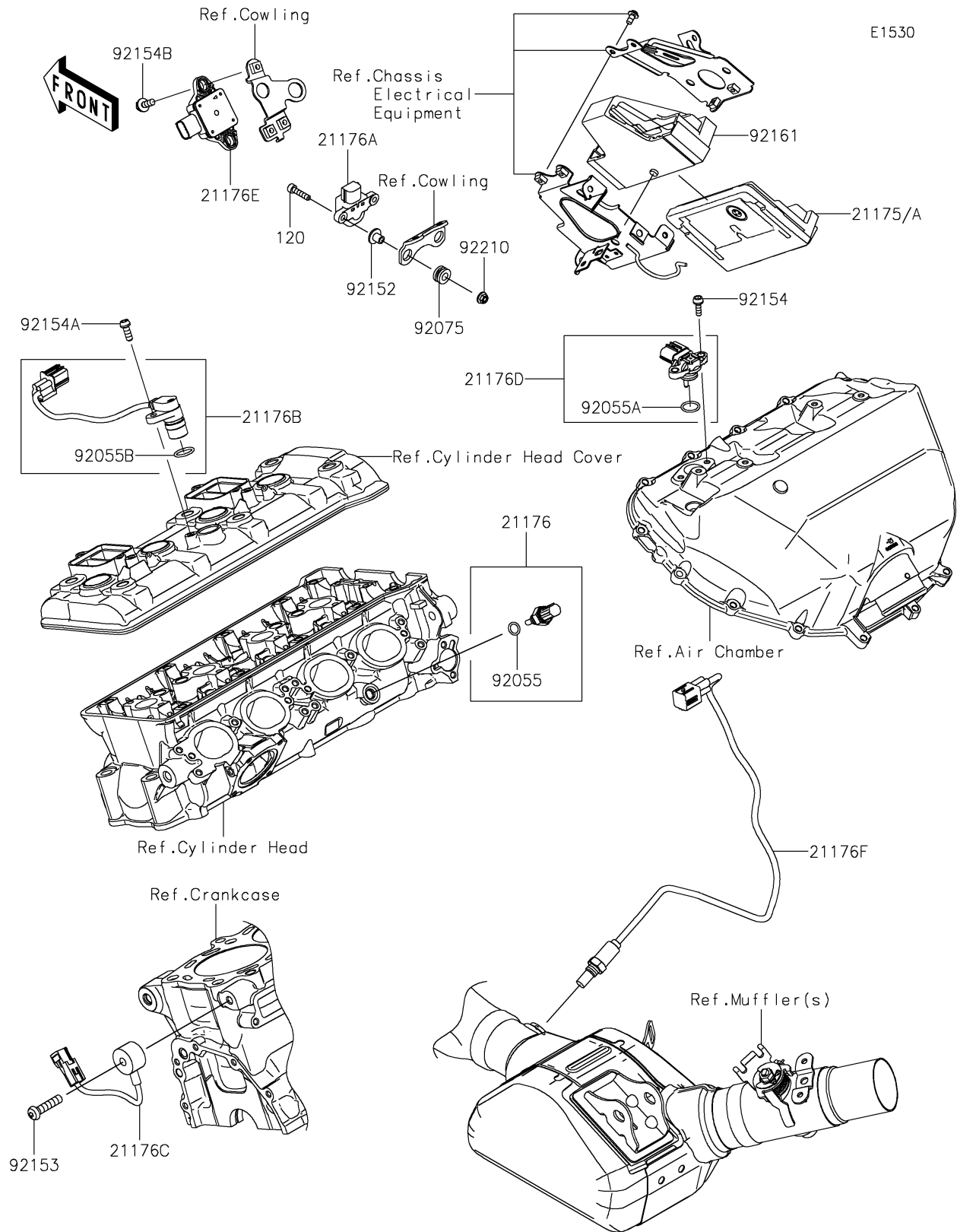


2026 NINJA H2® ABS

PARTS DIAGRAM

Fuel Injection



2026 NINJA H2[®] ABS

PARTS LIST

Fuel Injection

| ITEM NAME | PART NUMBER | QUANTITY |
|-----------|-------------|----------|
|-----------|-------------|----------|
