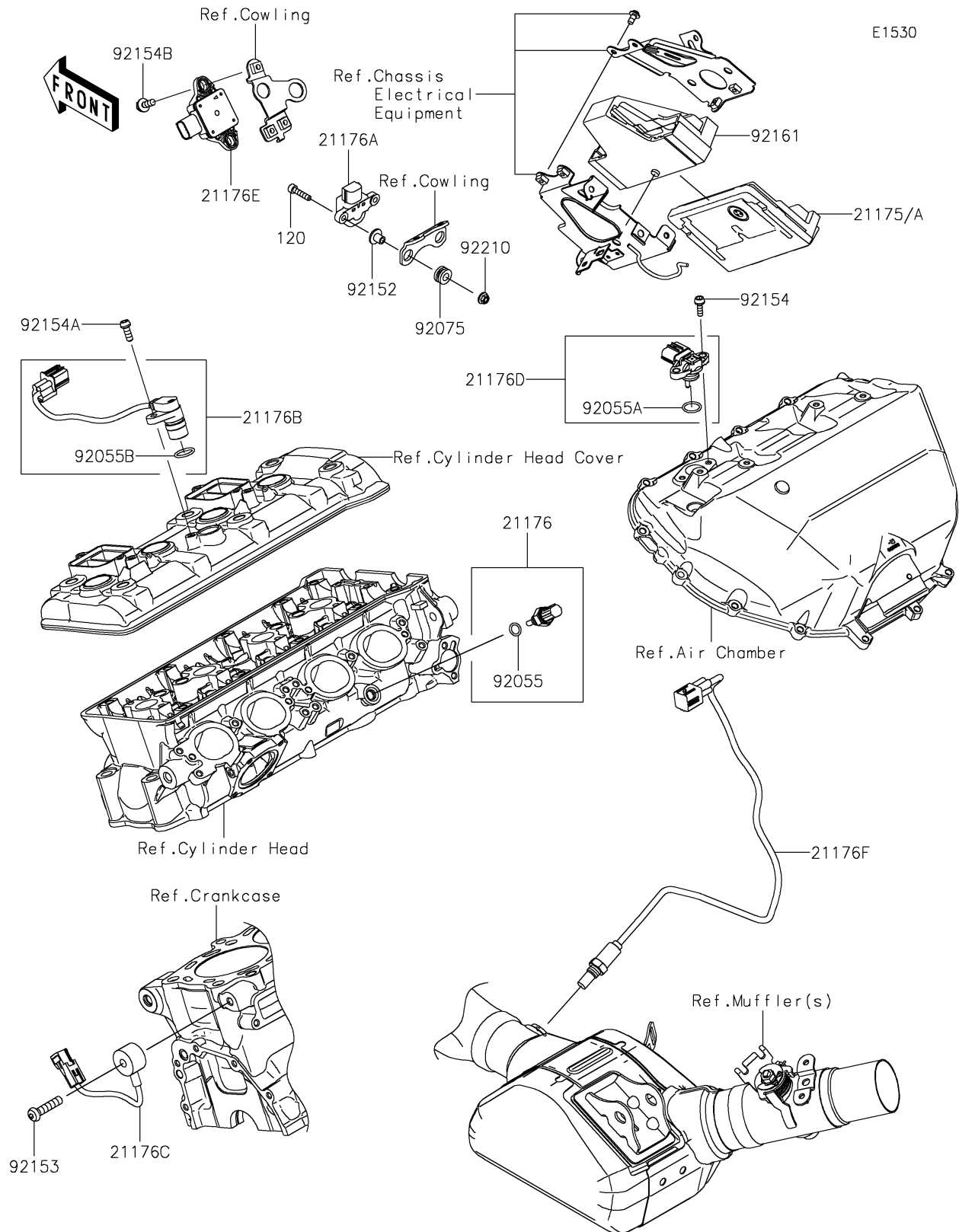


# 2026 NINJA H2® CARBON ABS

## PARTS DIAGRAM

### Fuel Injection



# 2026 NINJA H2<sup>®</sup> CARBON ABS

## PARTS LIST

### Fuel Injection

ITEM NAME	PART NUMBER	QUANTITY
-----------	-------------	----------

---