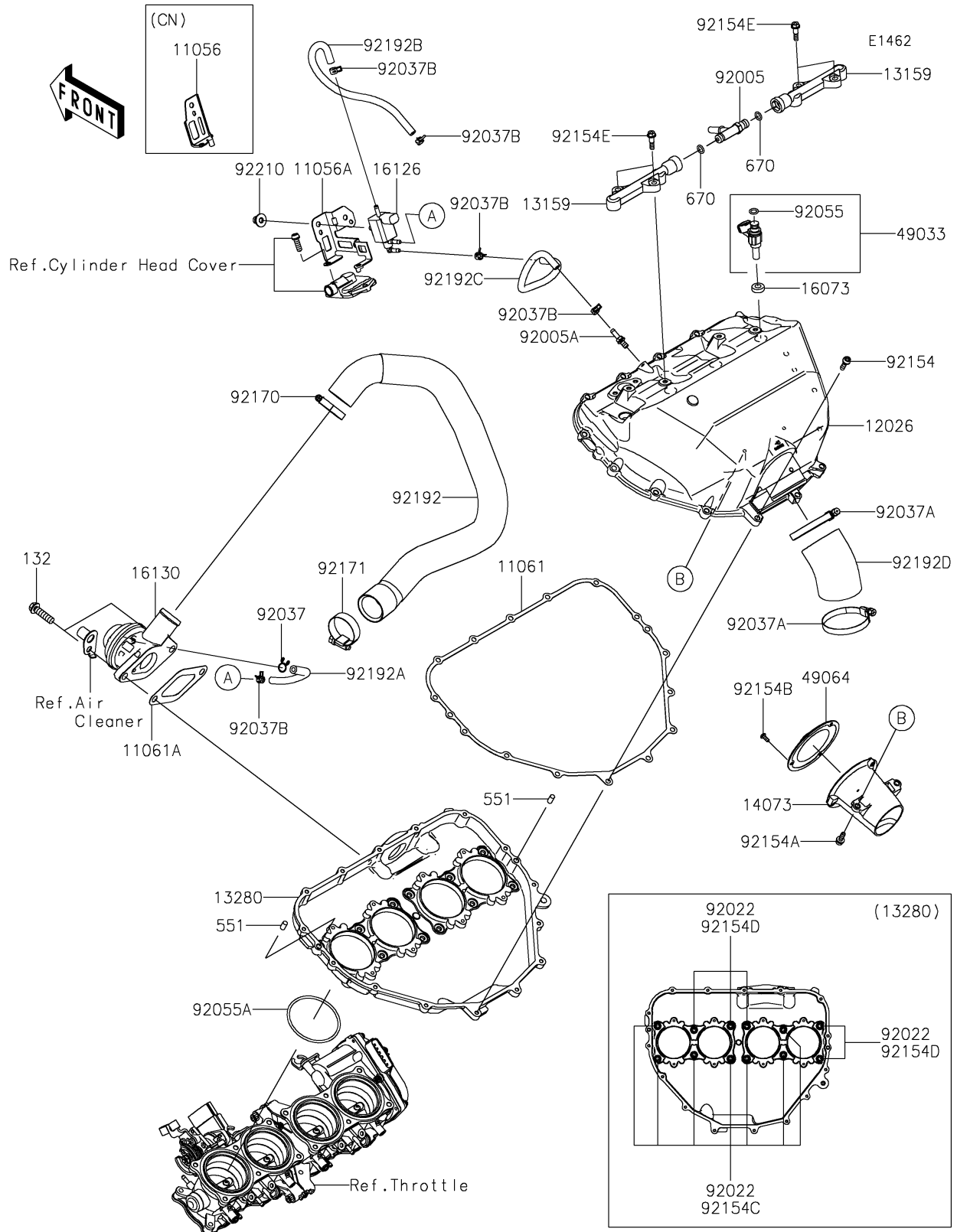


2026 NINJA H2[®] ABS

PARTS DIAGRAM

Air Chamber



2026 NINJA H2[®] ABS

PARTS LIST

Air Chamber

ITEM NAME

PART NUMBER

QUANTITY
