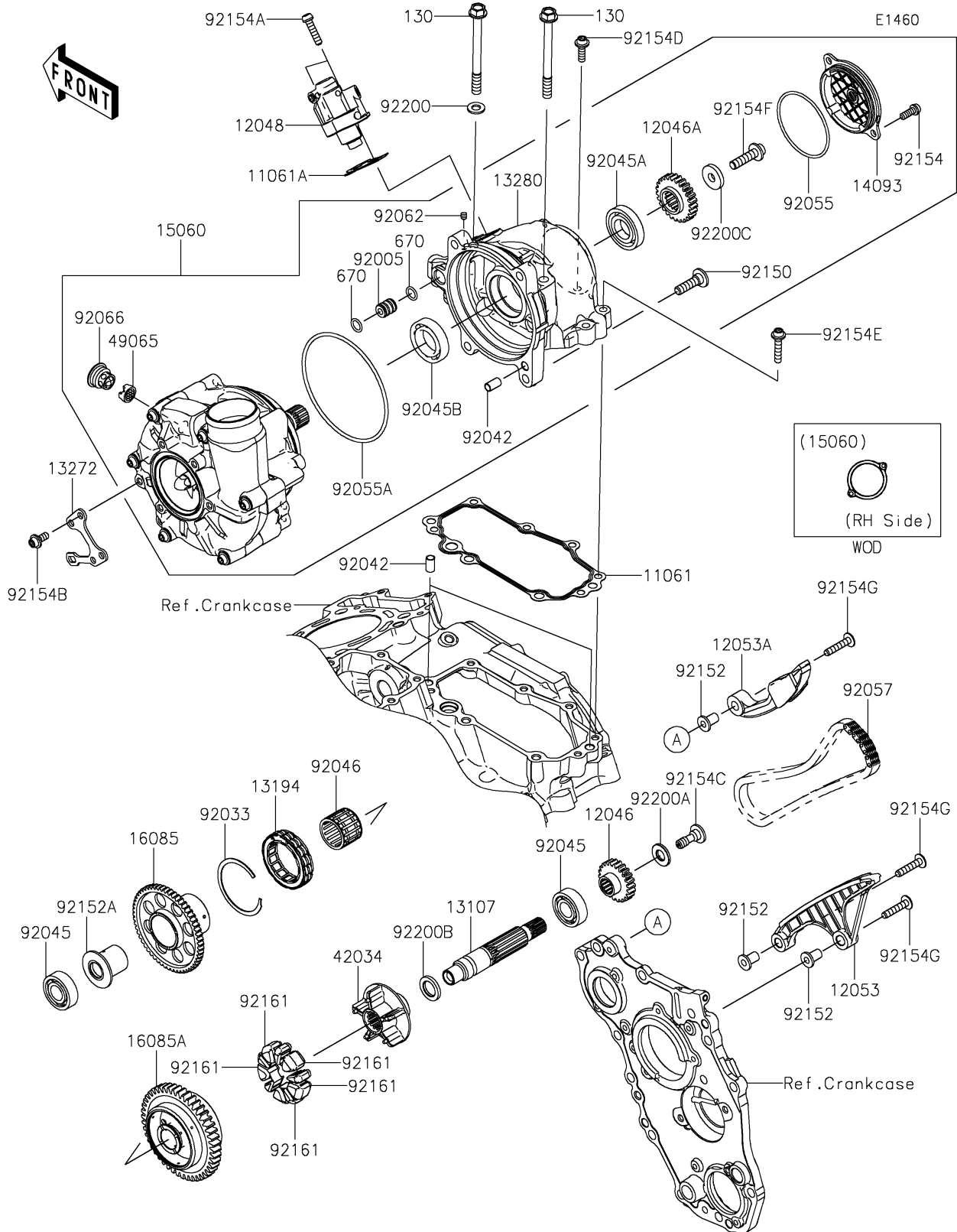


2026 NINJA H2[®] ABS

PARTS DIAGRAM

Super Charger



2026 NINJA H2[®] ABS

PARTS LIST

Super Charger

ITEM NAME

PART NUMBER

QUANTITY
