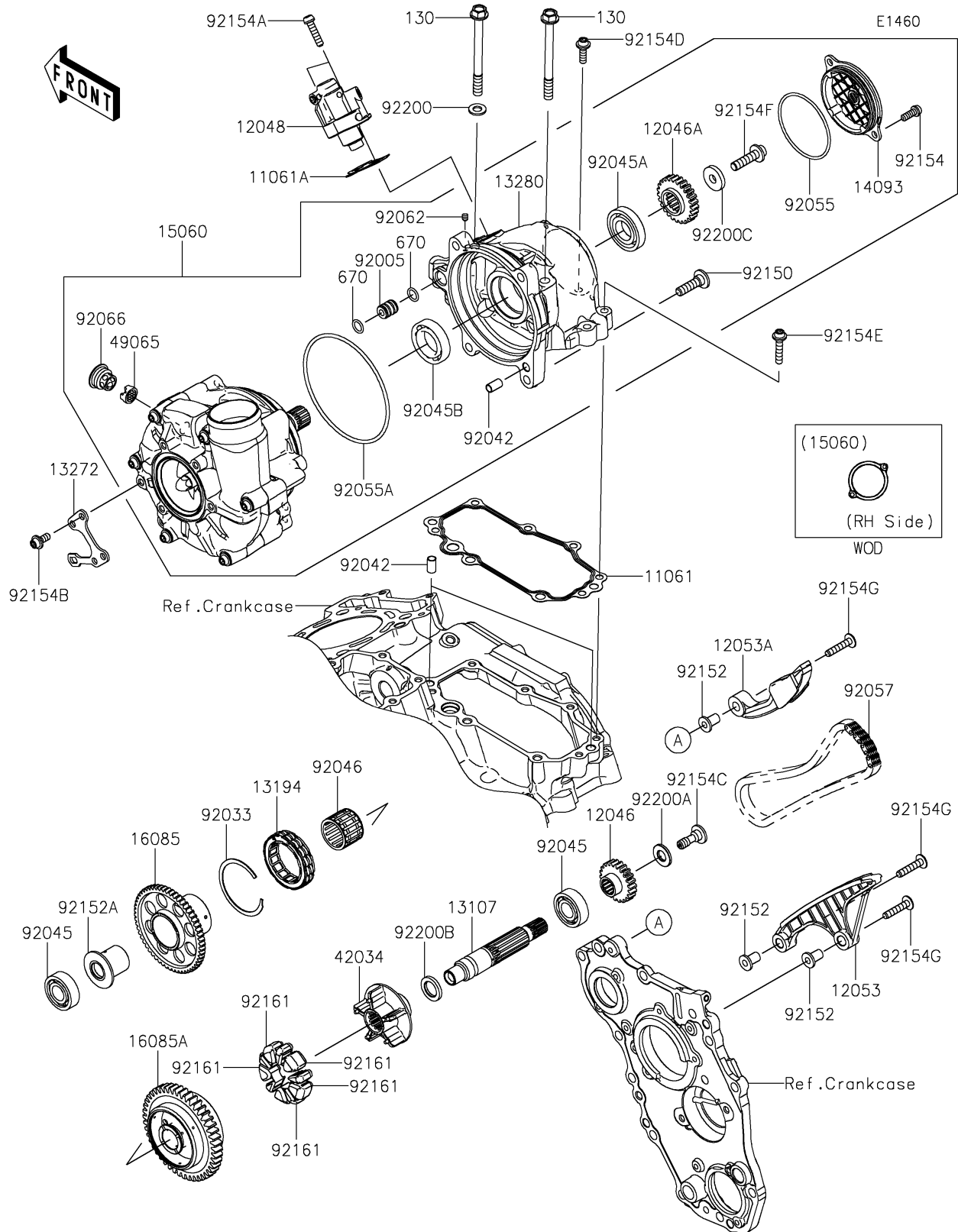


2026 Ninja H2 Carbon ABS

PARTS DIAGRAM

Super Charger



2026 Ninja H2 Carbon ABS

PARTS LIST Super Charger

ITEM NAME	PART NUMBER	QUANTITY
-----------	-------------	----------
