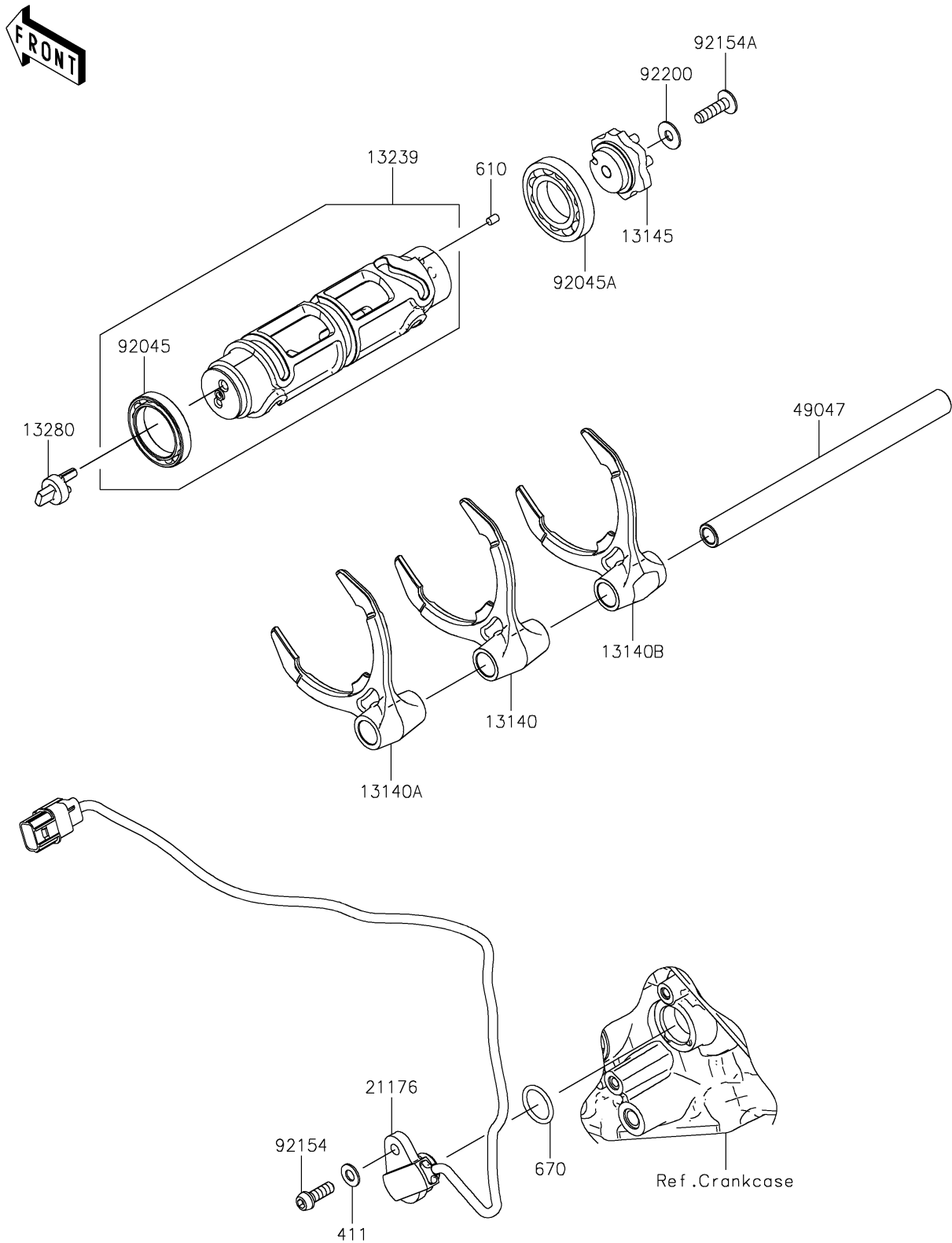


2026 Ninja H2 Carbon ABS

PARTS DIAGRAM

Gear Change Drum/Shift Fork(s)

E1362



2026 Ninja H2 Carbon ABS

PARTS LIST

Gear Change Drum/Shift Fork(s)

| ITEM NAME | PART NUMBER | QUANTITY |
|------------------------------------|-------------|----------|
| FORK-SHIFT,3RD&4TH (Ref # 13140) | 13140-0645 | 1 |
| FORK-SHIFT,5TH&6TH (Ref # 13140A) | 13140-0646 | 1 |
| FORK-SHIFT,1ST&2ND (Ref # 13140B) | 13140-0649 | 1 |
| CAM-CHANGE DRUM (Ref # 13145) | 13145-0586 | 1 |
| DRUM-ASSY-CHANGE (Ref # 13239) | 13239-0605 | 1 |
| HOLDER (Ref # 13280) | 13280-0964 | 1 |
| SENSOR,GEAR POSITION (Ref # 21176) | 21176-0787 | 1 |
| ROD-SHIFT (Ref # 49047) | 49047-0635 | 1 |
| BEARING-BALL,6806 (Ref # 92045) | 92045-0826 | 1 |
| BEARING-BALL,16005 (Ref # 92045A) | 92045-1045 | 1 |
| BOLT,SOCKET,6X18 (Ref # 92154) | 92154-1455 | 1 |
| BOLT,TORX,6X22 (Ref # 92154A) | 92154-2903 | 1 |
| WASHER,6X16X1 (Ref # 92200) | 92200-2145 | 1 |
| WASHER-PLAIN,6MM (Ref # 411) | 411AA0600 | 1 |
| ROLLER,4X6 (Ref # 610) | 610A0406 | 1 |
| O RING,18MM (Ref # 670) | 670D2018 | 1 |