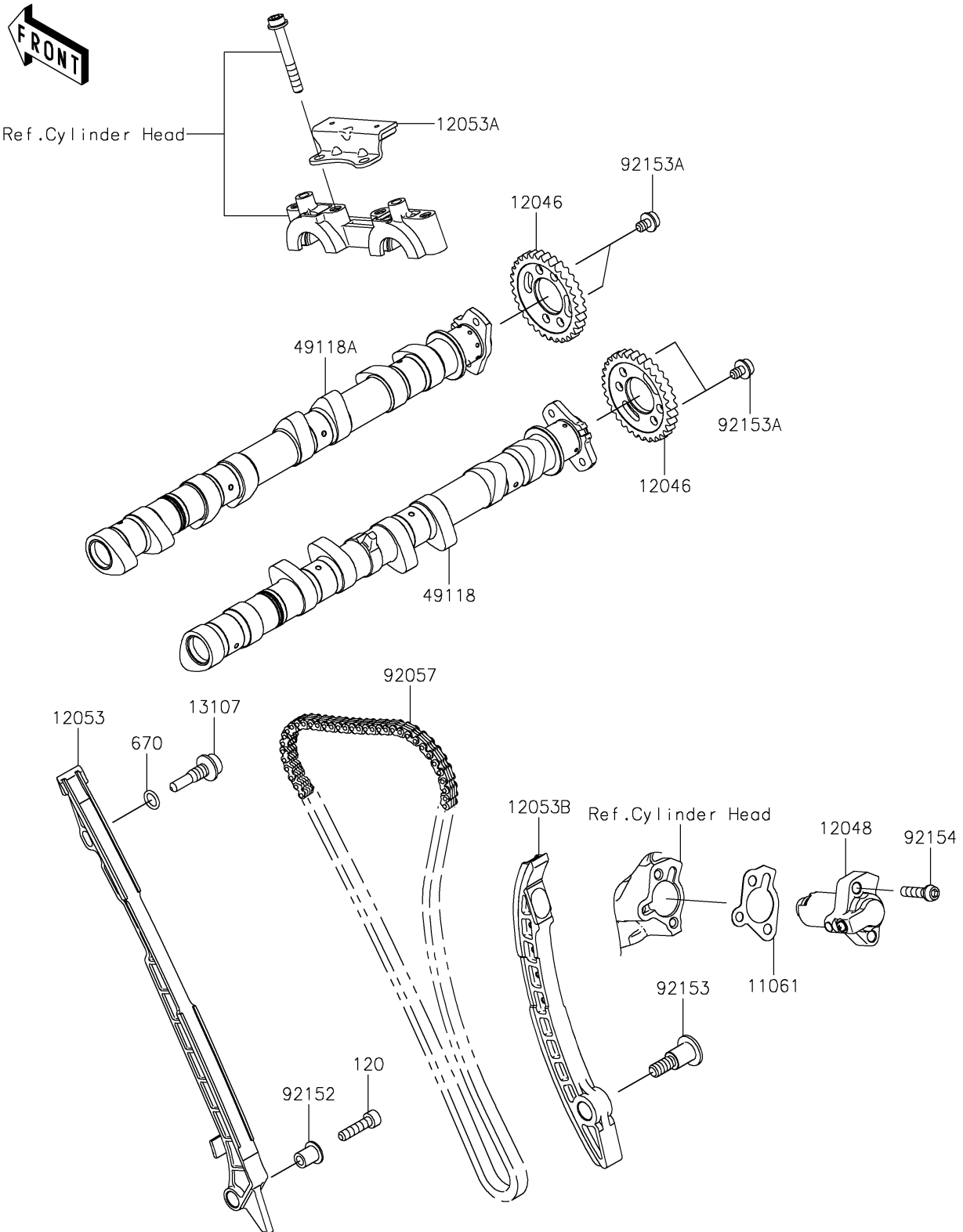


2026 NINJA H2[®] ABS

PARTS DIAGRAM

Camshaft(s)/Tensioner

E1230



2026 NINJA H2[®] ABS

PARTS LIST

Camshaft(s)/Tensioner

ITEM NAME

PART NUMBER

QUANTITY
