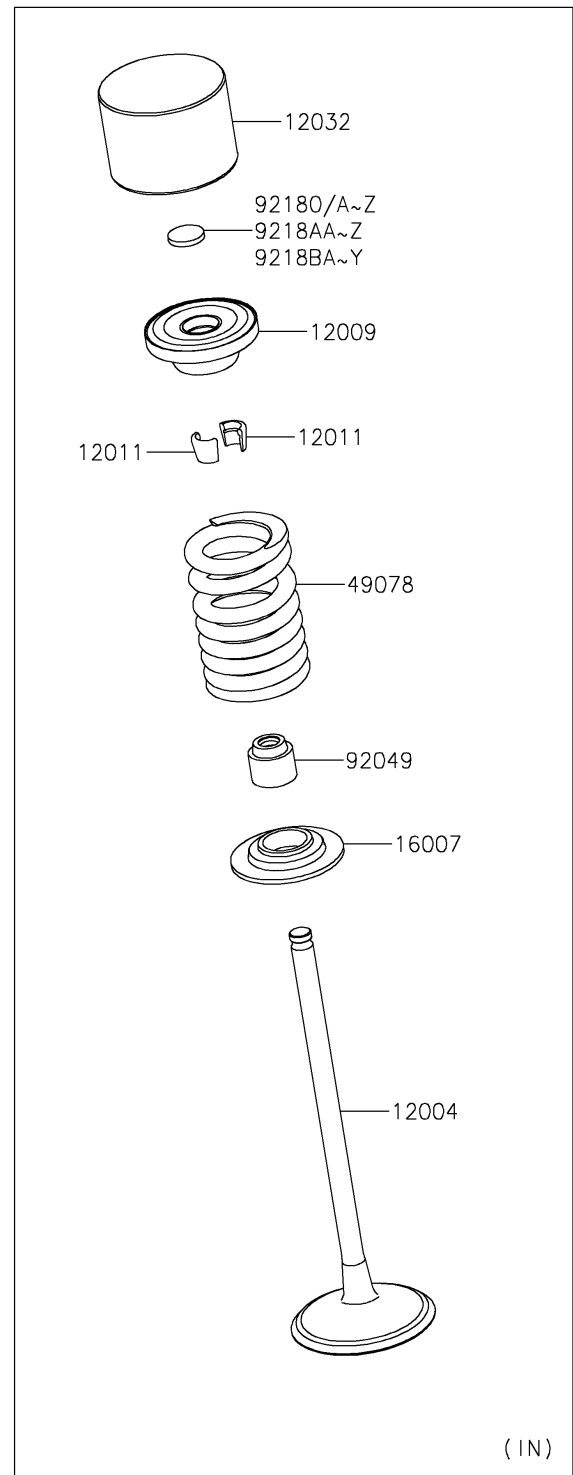
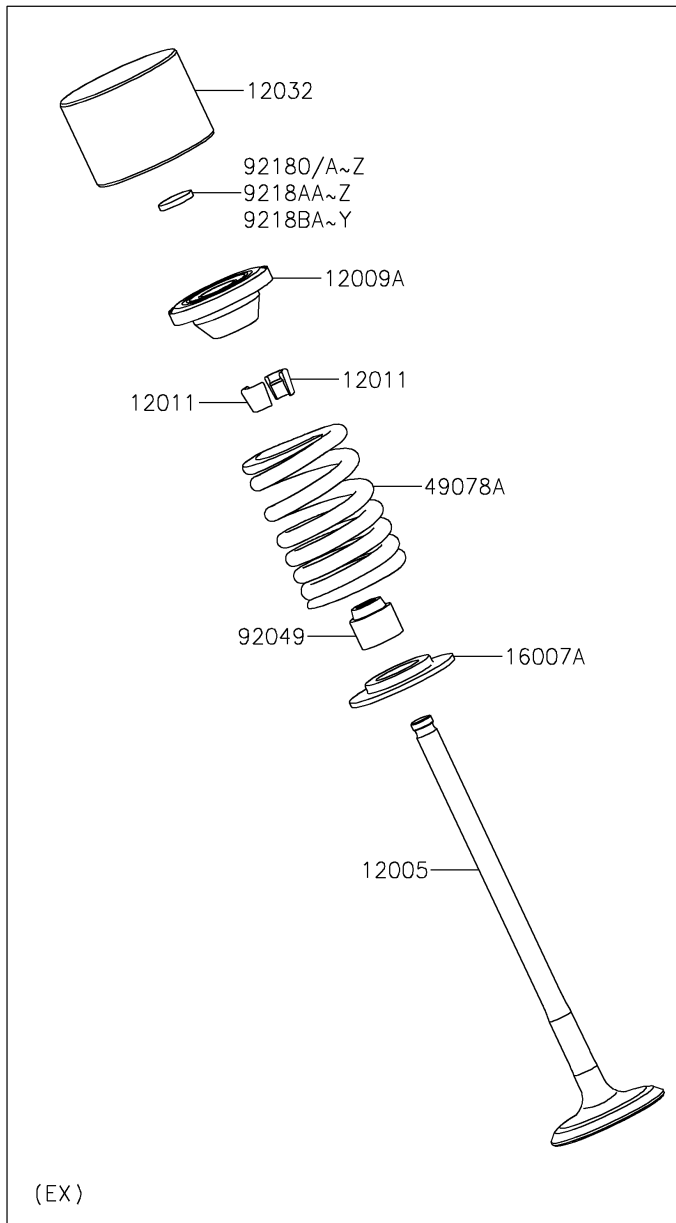


# 2026 NINJA H2<sup>®</sup> CARBON ABS

## PARTS DIAGRAM

### Valve(s)

E1210



# 2026 NINJA H2<sup>®</sup> CARBON ABS

## PARTS LIST

Valve(s)

ITEM NAME	PART NUMBER	QUANTITY
-----------	-------------	----------

---