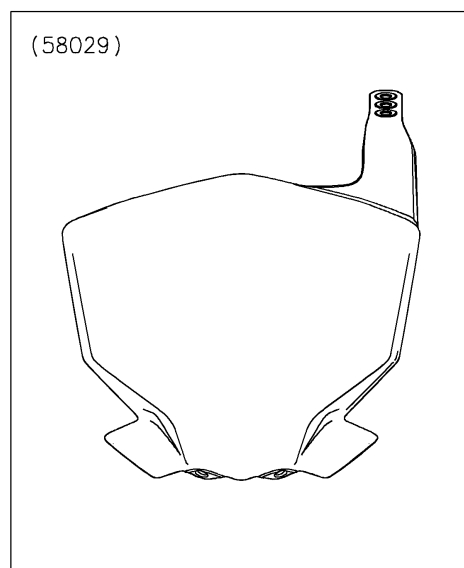
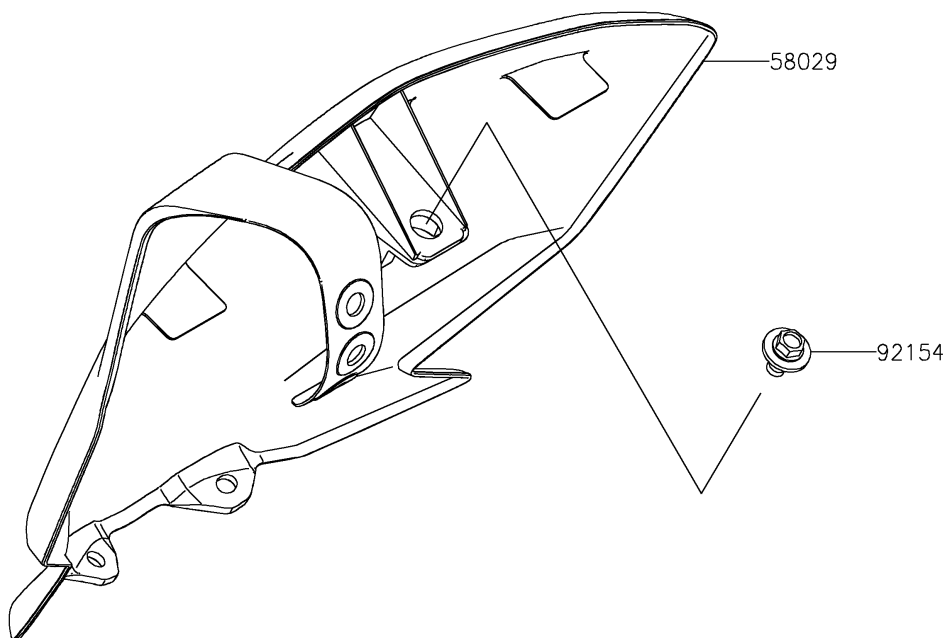


2026 KX™112

PARTS DIAGRAM

Accessory

F2910



WOD

2026 KX™112

PARTS LIST

Accessory

ITEM NAME	PART NUMBER	QUANTITY
PLATE-NUMBER,L.GREEN (Ref # 58029)	58029-0017-290	1
BOLT,FLANGED,6X12 (Ref # 92154)	92154-2970	1