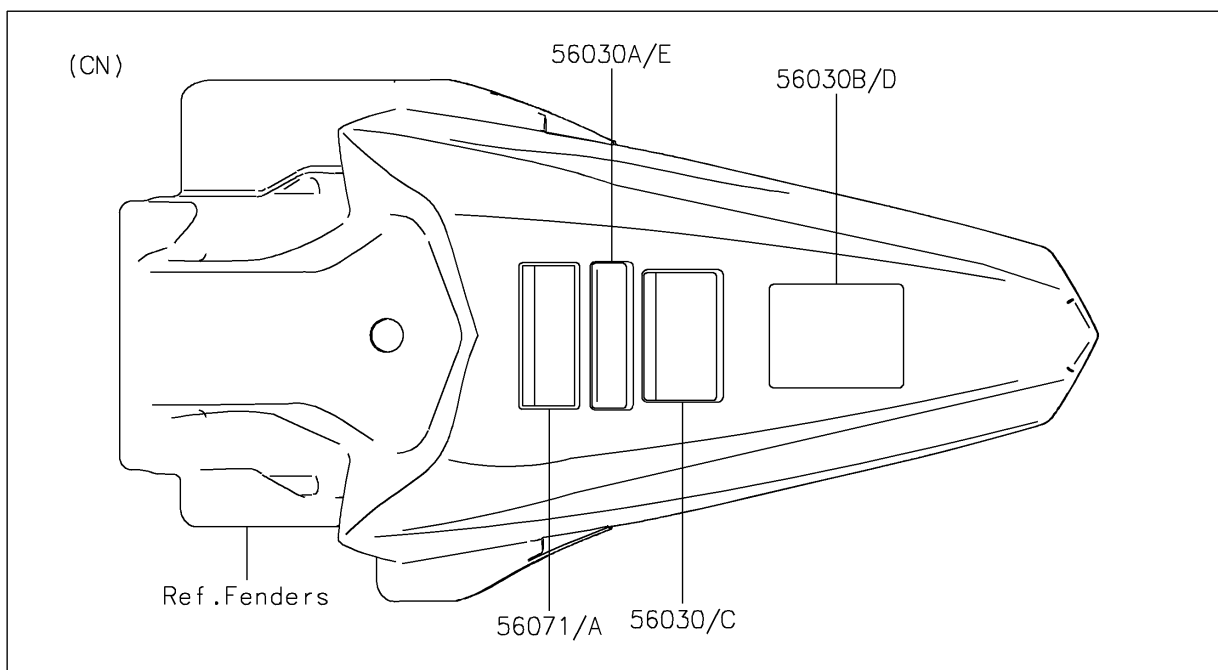
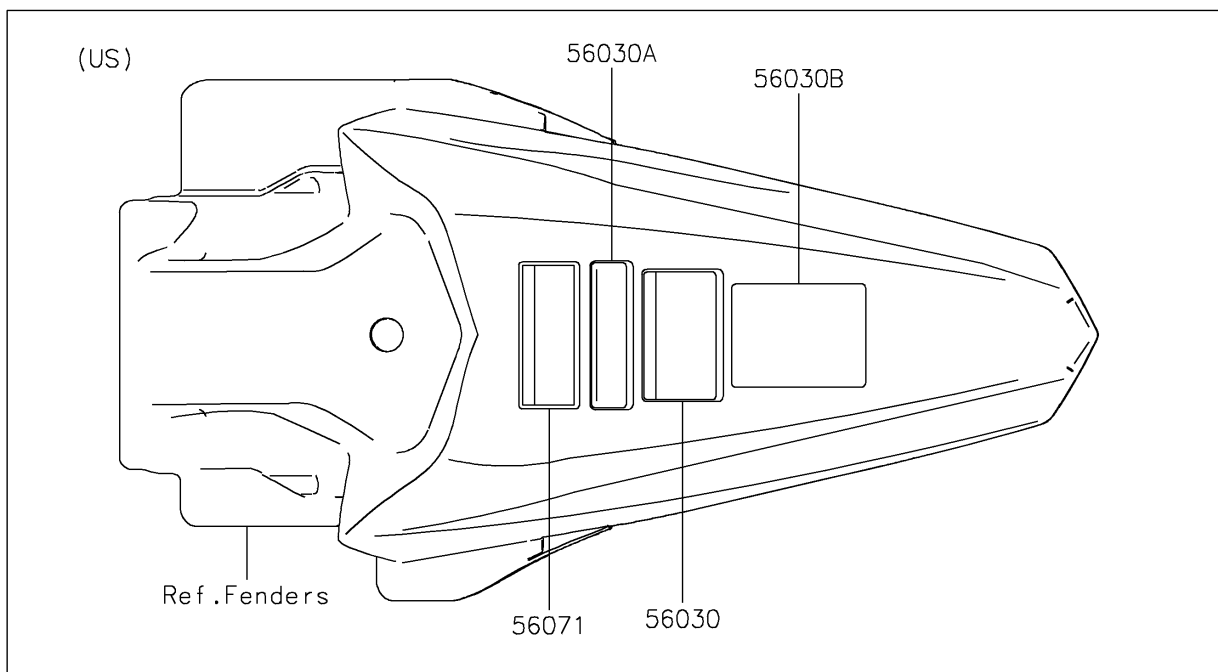


2026 KX™112

PARTS DIAGRAM

Labels

F2860



2026 KX™112

PARTS LIST

Labels

ITEM NAME

PART NUMBER

QUANTITY
