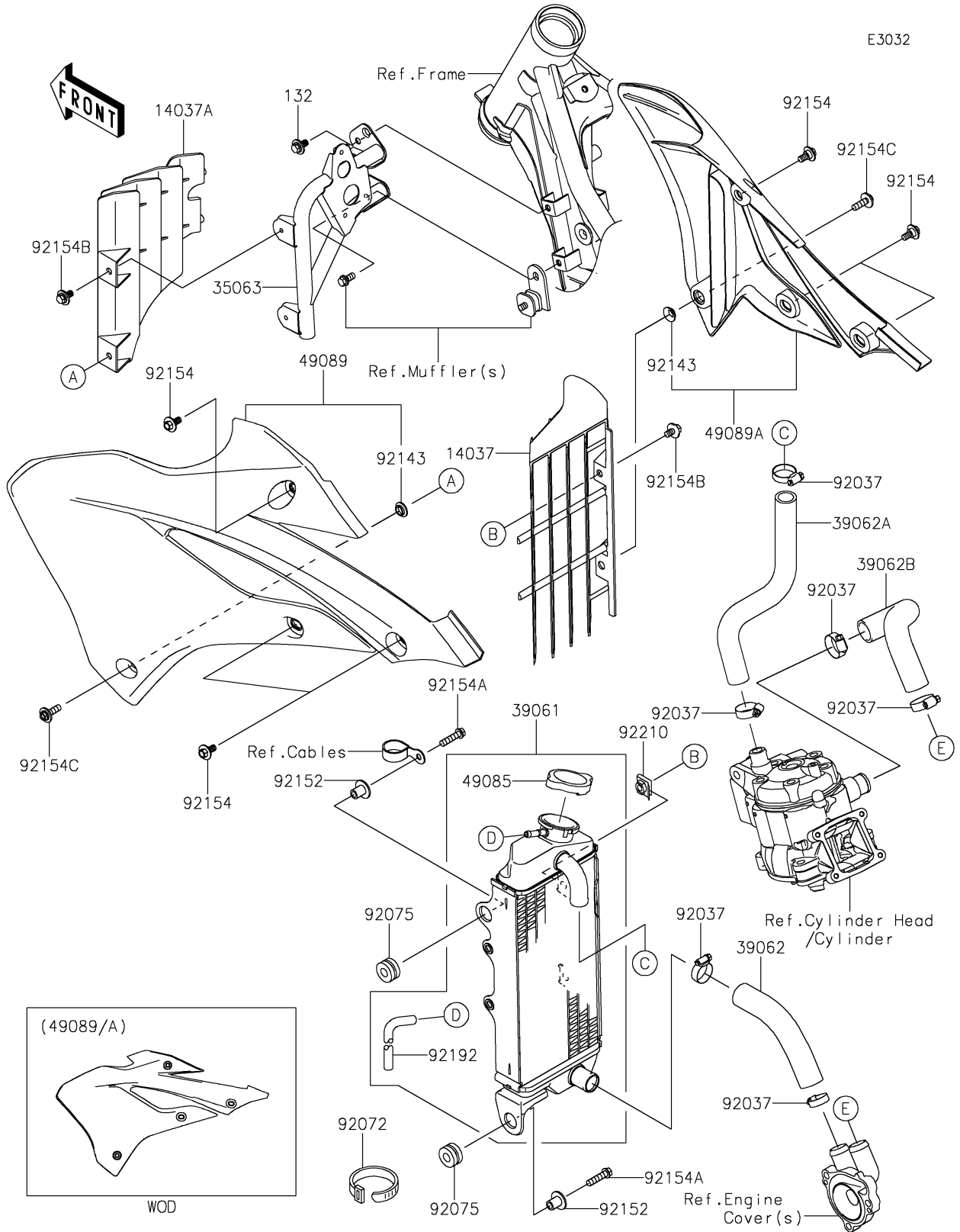


2026 KX™112

PARTS DIAGRAM

Radiator



2026 KX™112

PARTS LIST

Radiator

ITEM NAME	PART NUMBER	QUANTITY
SCREEN,RH,EBONY (Ref # 14037)	14037-0748-6C	1
SCREEN,LH,EBONY (Ref # 14037A)	14037-1282-6C	1
STAY,LH,SHROUD (Ref # 35063)	35063-1583	1
RADIATOR-ASSY (Ref # 39061)	39061-0592	1
HOSE-COOLING,RADIATOR-PUMP (Ref # 39062)	39062-0646	1
HOSE-COOLING,HEAD-RADIATOR (Ref # 39062A)	39062-1425	1
HOSE-COOLING,CYLINDER PUMP (Ref # 39062B)	39062-1712	1
CAP-ASSY-PRESSURE (Ref # 49085)	49085-0006	1
SHROUD-ENGINE,LH,L.GREEN (Ref # 49089)	49089-1156-290	1
SHROUD-ENGINE,RH,L.GREEN (Ref # 49089A)	49089-1157-290	1
CLAMP,COOLING HOSE (Ref # 92037)	92037-1589	6
BAND,L=186 (Ref # 92072)	92072-056	1
DAMPER (Ref # 92075)	92075-209	2
COLLAR (Ref # 92143)	92143-1196	2
COLLAR (Ref # 92152)	92152-0666	2
BOLT,FLANGED,6X9 (Ref # 92154)	92154-0546	6
BOLT,FLANGED,6X25 (Ref # 92154A)	92154-2967	2
BOLT,FLANGED,6X12 (Ref # 92154B)	92154-2970	2
BOLT,FLANGED,6X20 (Ref # 92154C)	92154-2972	2
TUBE,6X9X700 (Ref # 92192)	92192-1334	1
NUT,CLIP,6MM (Ref # 92210)	92210-0867	2
BOLT-FLANGED-SMALL,6X12 (Ref # 132)	132BA0612	1