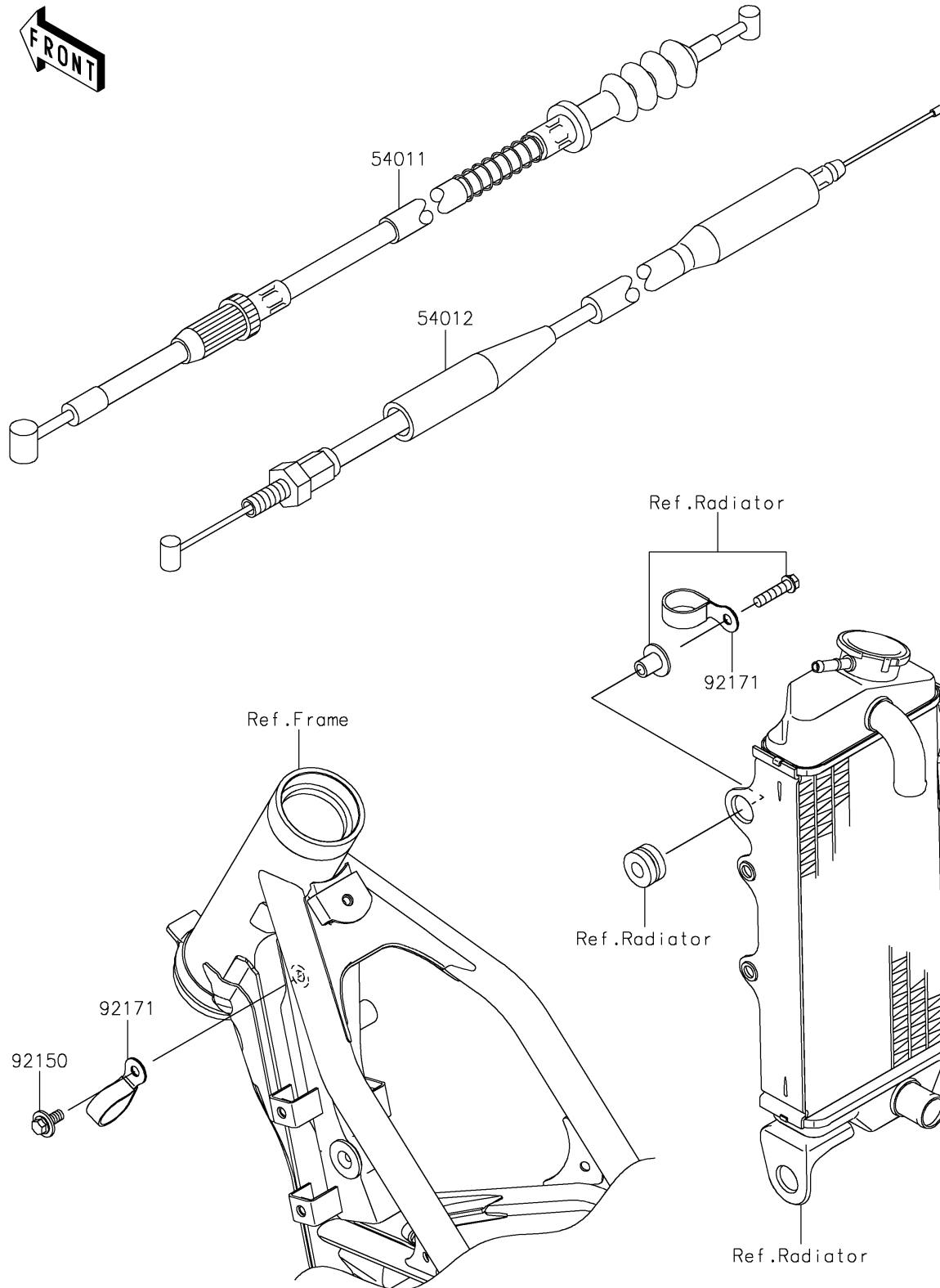


2026 KX™ 85

PARTS DIAGRAM

Cables

F2540



2026 KX™ 85

PARTS LIST

Cables

| ITEM NAME | PART NUMBER | QUANTITY |
|------------------------------|-------------|----------|
| CABLE-CLUTCH (Ref # 54011) | 54011-0572 | 1 |
| CABLE-THROTTLE (Ref # 54012) | 54012-0595 | 1 |
| BOLT,6X14 (Ref # 92150) | 92150-1340 | 1 |
| CLAMP (Ref # 92171) | 92171-1279 | 2 |