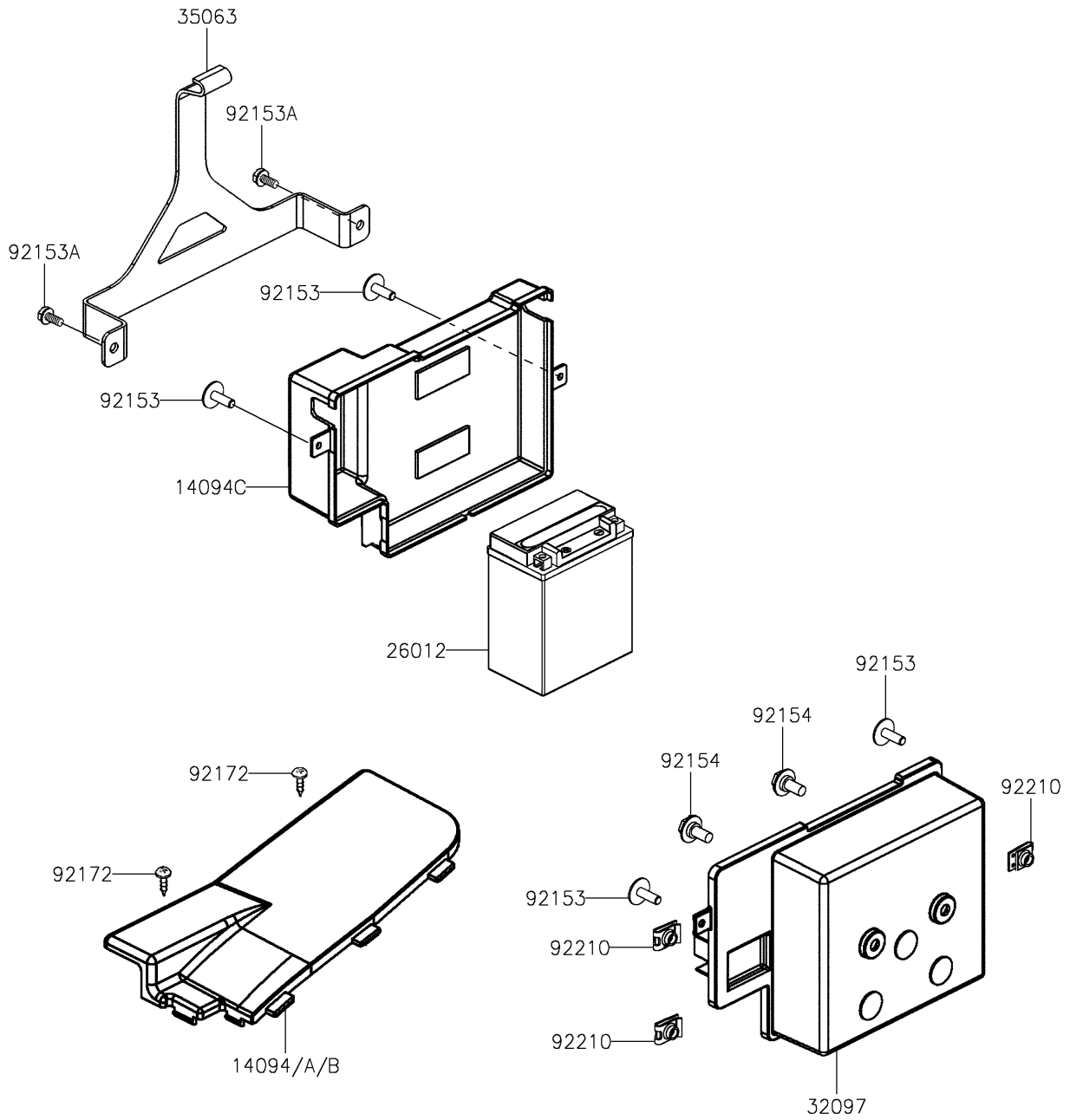


2026 BRUTE FORCE® 450 4x4

PARTS DIAGRAM

Battery

F2761



2026 BRUTE FORCE® 450 4x4

PARTS LIST

Battery

ITEM NAME	PART NUMBER	QUANTITY
COVER,BATTERY,UPP,B.WHITE (Ref # 14094)	14094-Y010-932	1
COVER,BATTERY,UPP,F.RED (Ref # 14094A)	14094-Y010-947	1
COVER,BATTERY,UPP,G.BLUE (Ref # 14094B)	14094-Y010-984	1
COVER,BATTERY,LWR,S.BLACK (Ref # 14094C)	14094-Y011-933	1
BATTERY,YTX20L-BS (Ref # 26012)	26012-Y008	1
CASE-BATTERY,S.BLACK (Ref # 32097)	32097-Y003-933	1
STAY,BATTERY (Ref # 35063)	35063-Y053	1
BOLT,5X16 (Ref # 92153)	92153-Y013	4
BOLT,FLANGE,6X12 (Ref # 92153A)	92153-Y023	2
BOLT,FLANGE,6MM (Ref # 92154)	92154-Y084	2
SCREW,TAPPING,4X14 (Ref # 92172)	92172-Y059	2
NUT,5MM (Ref # 92210)	92210-Y016	3