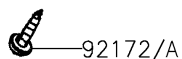
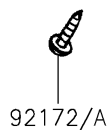
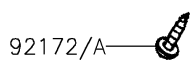
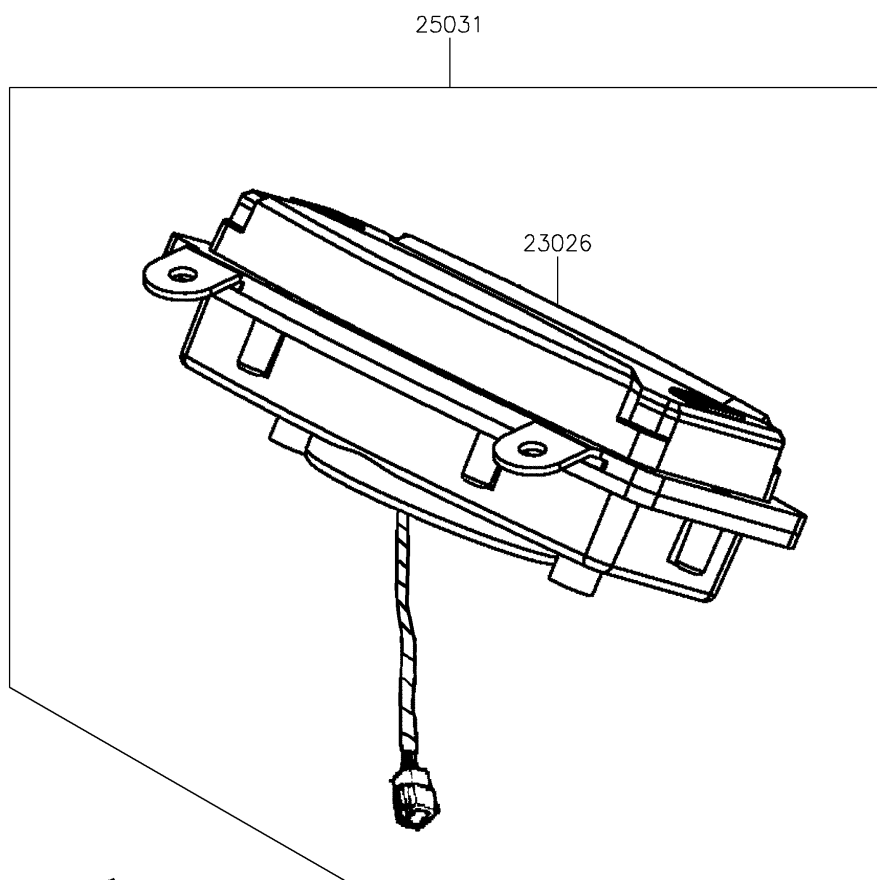


2026 Brute Force 450

PARTS DIAGRAM

Meter(s)

F2530



2026 Brute Force 450

PARTS LIST

Meter(s)

| ITEM NAME | PART NUMBER | QUANTITY |
|-----------------------------------|-------------|----------|
| LENS (Ref # 23026) | 23026-Y009 | 1 |
| METER-ASSY (Ref # 25031) | 25031-Y011 | 1 |
| SCREW,TAPPING,5X12 (Ref # 92172A) | 92172-Y038 | 3 |
| SCREW,TAPPING,5X16 (Ref # 92172) | 92172-Y020 | 3 |