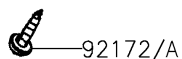
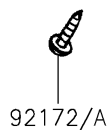
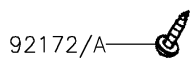
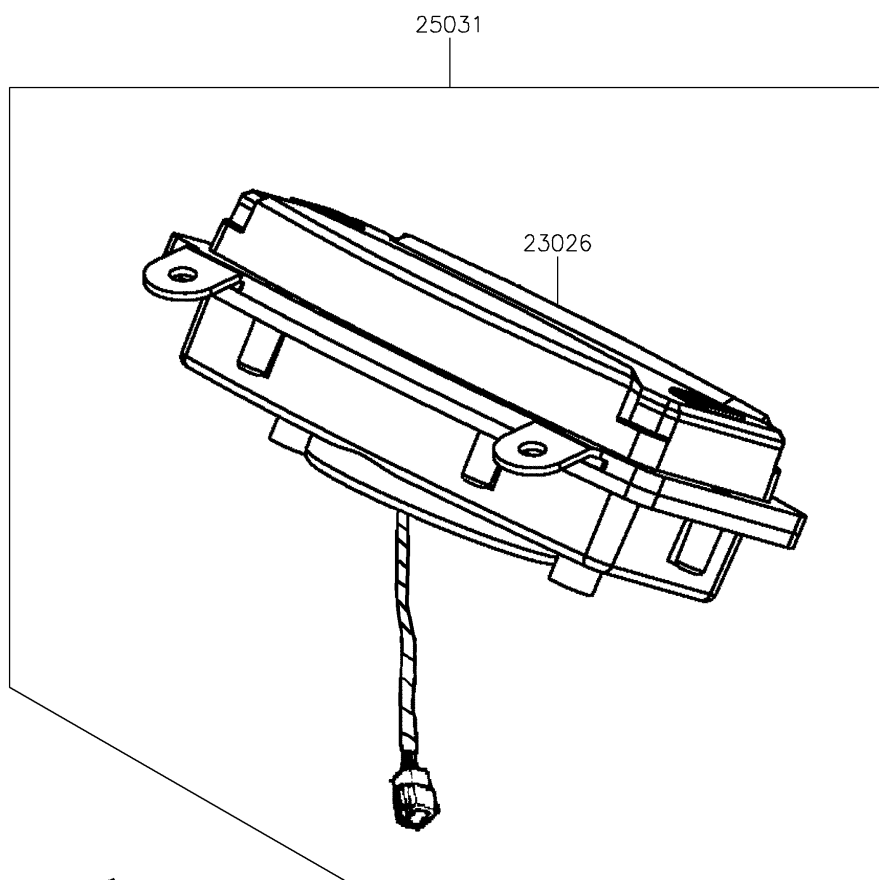


2026 BRUTE FORCE® 450 4x4

PARTS DIAGRAM

Meter(s)

F2530



2026 BRUTE FORCE® 450 4x4

PARTS LIST

Meter(s)

Kawasaki
Let the Good Times Roll®

ITEM NAME	PART NUMBER	QUANTITY
LENS (Ref # 23026)	23026-Y009	1
METER-ASSY (Ref # 25031)	25031-Y011	1
SCREW,TAPPING,5X12 (Ref # 92172A)	92172-Y038	3
SCREW,TAPPING,5X16 (Ref # 92172)	92172-Y020	3