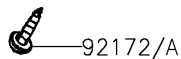
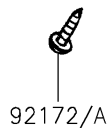
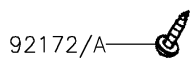
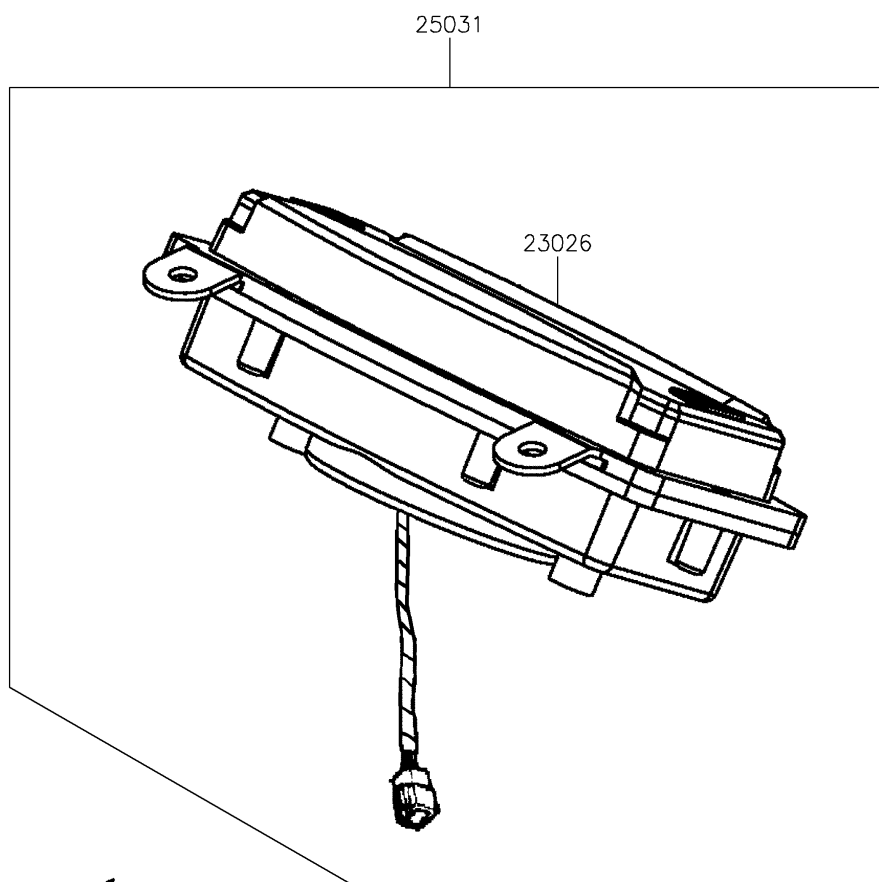


2025 BRUTE FORCE® 450 4x4

PARTS DIAGRAM

Meter(s)

F2530



2025 BRUTE FORCE® 450 4x4



PARTS LIST

Meter(s)

ITEM NAME	PART NUMBER	QUANTITY
-----------	-------------	----------
