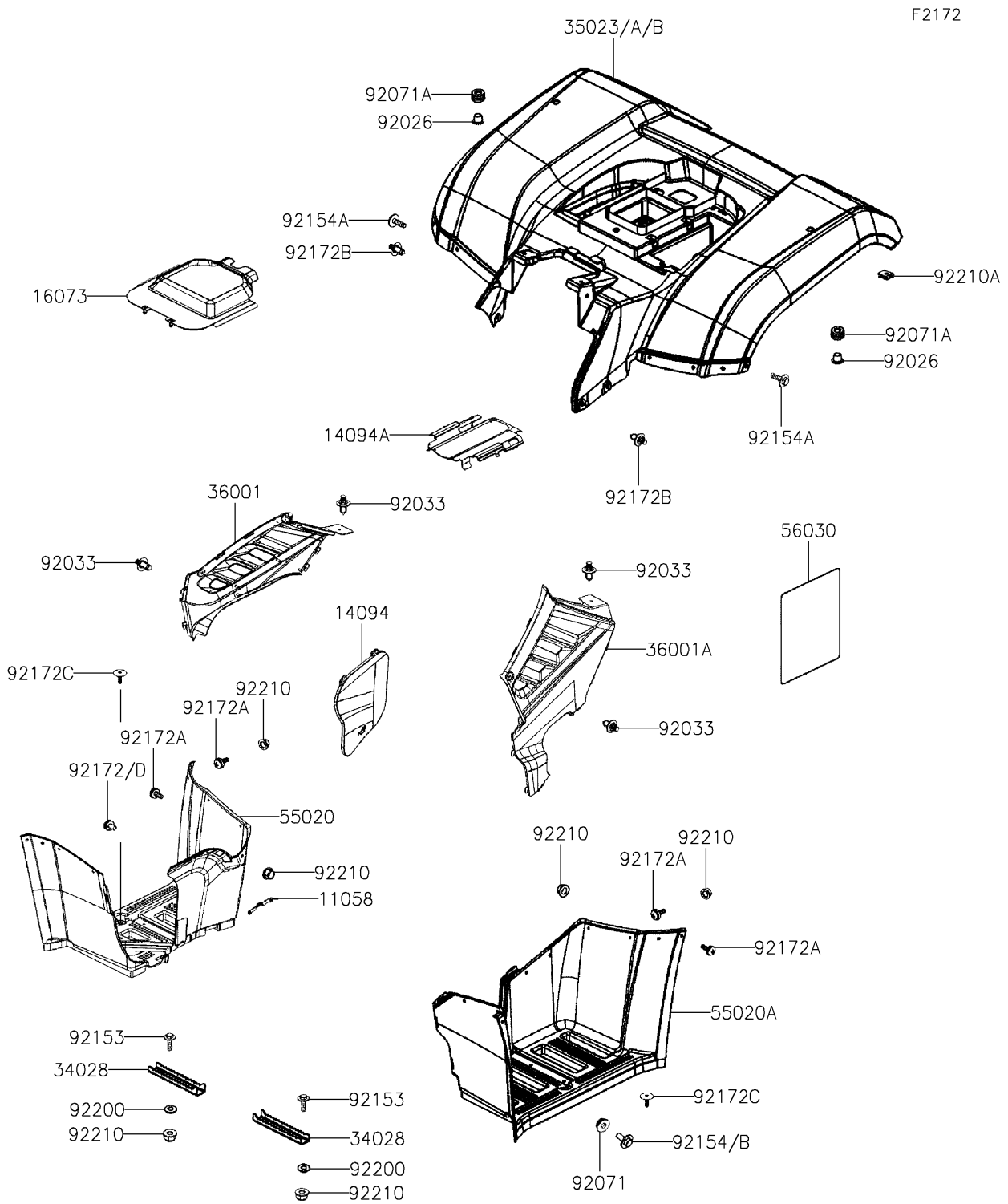


# 2025 Brute Force 450

## PARTS DIAGRAM

### Rear Fender(s)



# 2025 Brute Force 450

## PARTS LIST

Rear Fender(s)

| ITEM NAME | PART NUMBER | QUANTITY |
|-----------|-------------|----------|
|-----------|-------------|----------|

---