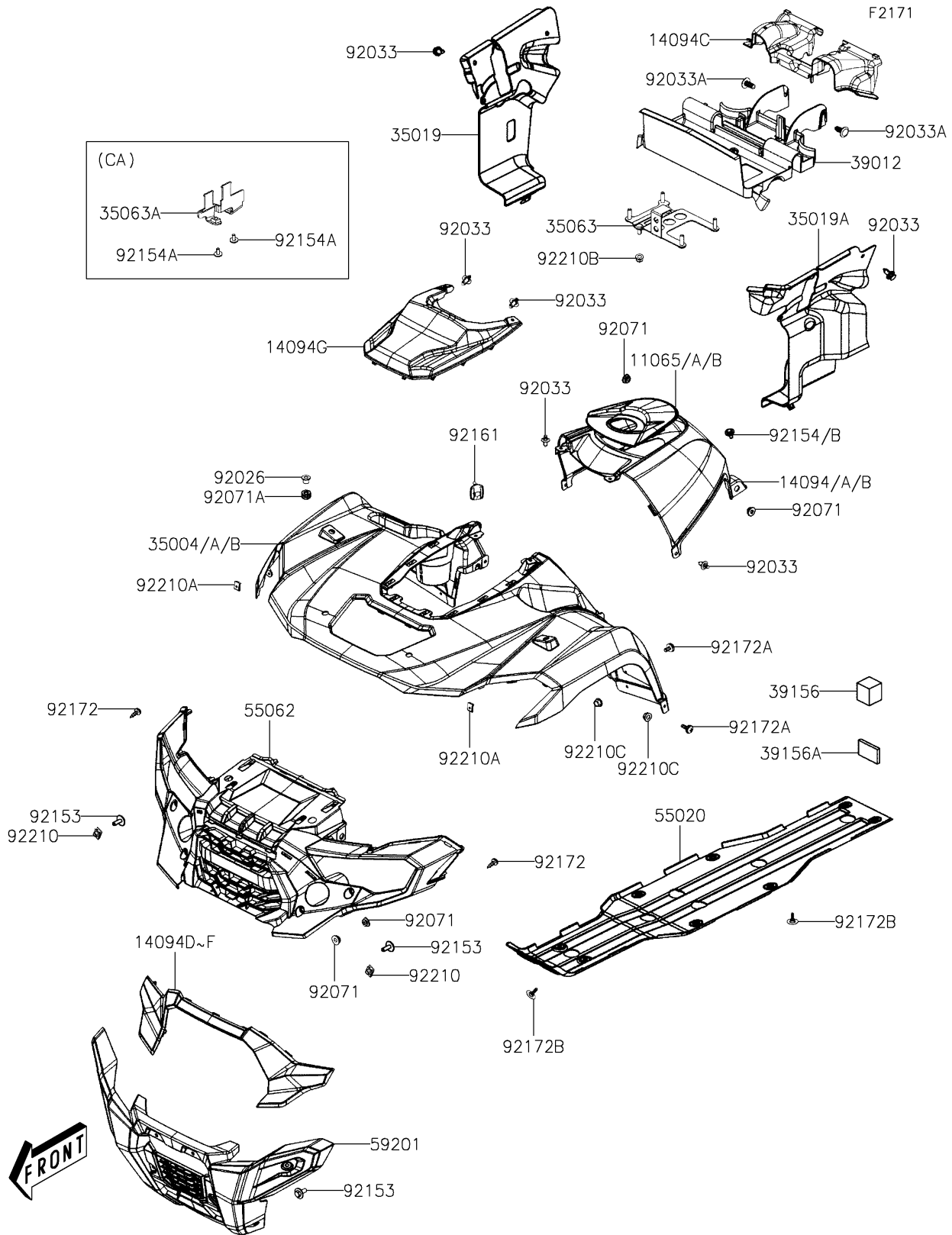


2026 BRUTE FORCE® 450 4x4

PARTS DIAGRAM

Front Fender(s)



2026 BRUTE FORCE® 450 4x4

Kawasaki
Let the Good Times Roll®

PARTS LIST

Front Fender(s)

ITEM NAME	PART NUMBER	QUANTITY
CAP,TANK COVER,B.WHITE (Ref # 11065)	11065-Y055-932	1
CAP,TANK COVER,F.RED (Ref # 11065A)	11065-Y055-947	1
CAP,TANK COVER,G.BLUE (Ref # 11065B)	11065-Y055-984	1
COVER,FUEL TANK,B.WHITE (Ref # 14094)	14094-Y006-932	1
COVER,FUEL TANK,F.RED (Ref # 14094A)	14094-Y006-947	1
COVER,FUEL TANK,G.BLUE (Ref # 14094B)	14094-Y006-984	1
COVER,WATERPROOF,S.BLACK (Ref # 14094C)	14094-Y014-933	1
COVER,FR GRILLE,B.WHITE (Ref # 14094D)	14094-Y016-932	1
COVER,FR GRILLE,F.RED (Ref # 14094E)	14094-Y016-947	1
COVER,FR GRILLE,G.BLUE (Ref # 14094F)	14094-Y016-984	1
COVER,TOP,S.BLACK (Ref # 14094G)	14094-Y017-933	1
FENDER-FRONT,B.WHITE (Ref # 35004)	35004-Y015-932	1
FENDER-FRONT,F.RED (Ref # 35004A)	35004-Y015-947	1
FENDER-FRONT,G.BLUE (Ref # 35004B)	35004-Y015-984	1
FLAP,RH,S.BLACK (Ref # 35019)	35019-Y008-933	1
FLAP,LH,S.BLACK (Ref # 35019A)	35019-Y009-933	1
STAY,ECU (Ref # 35063)	35063-Y054	1
STAY,CANISTER (Ref # 35063A)	35063-Y057	1
CASE-STORAGE,ELECTRICAL,S.BLK (Ref # 39012)	39012-Y003-933	1
PAD,TANK COVER,RR (Ref # 39156)	39156-Y010	1
PAD,TANK COVER,FR (Ref # 39156A)	39156-Y011	1
GUARD,SKID,S.BLACK (Ref # 55020)	55020-Y022-933	1
COVER-HEAD LAMP,S.BLACK (Ref # 55062)	55062-Y001-933	1
BUMPER,FR,S.BLACK (Ref # 59201)	59201-Y002-933	1
SPACER (Ref # 92026)	92026-Y015	4
RIVET (Ref # 92033)	92033-Y010	8
RIVET (Ref # 92033A)	92033-Y032	2
GROMMET (Ref # 92071)	92071-Y005	6
GROMMET (Ref # 92071A)	92071-Y009	4

2026 BRUTE FORCE® 450 4x4

PARTS LIST

Front Fender(s)

ITEM NAME	PART NUMBER	QUANTITY
BOLT,6X16 (Ref # 92153)	92153-Y018	10
BOLT,6X12 (Ref # 92154)	92154-Y032	2
BOLT,5X16 (Ref # 92154A)	92154-Y085	2
BOLT,6X12 (Ref # 92154B)	92154-Y265	2
DAMPER,FR FENDER (Ref # 92161)	92161-Y063	3
SCREW,TAPPING,5X12 (Ref # 92172)	92172-Y038	19
SCREW,6X20 (Ref # 92172A)	92172-Y041	8
SCREW (Ref # 92172B)	92172-Y106	10
NUT,6MM (Ref # 92210)	92210-Y011	2
NUT,5MM (Ref # 92210A)	92210-Y016	4
NUT,6MM (Ref # 92210B)	92210-Y026	2
NUT (Ref # 92210C)	92210-Y031	8