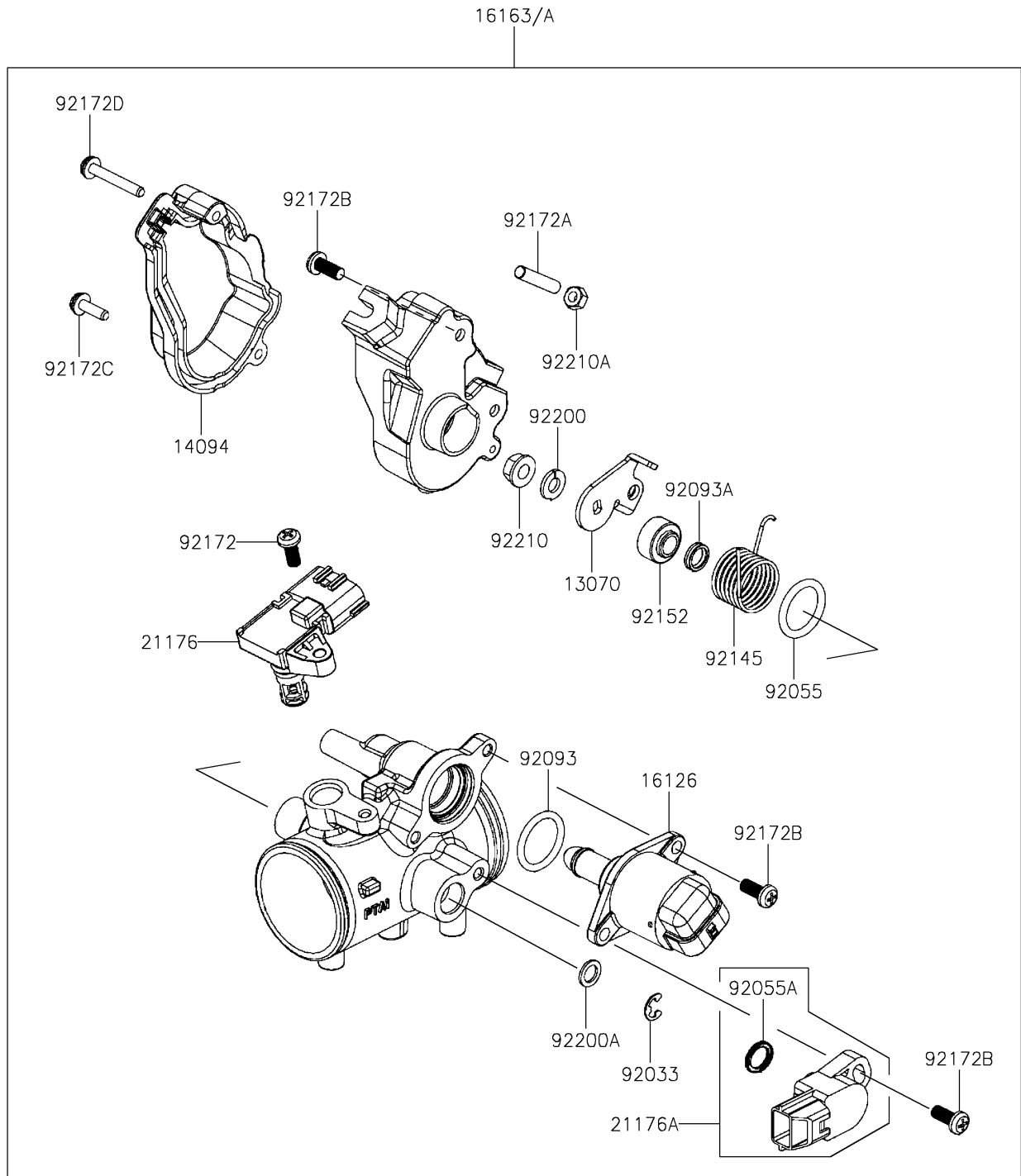


2026 Brute Force 450

PARTS DIAGRAM

Throttle

E1510



2026 Brute Force 450

PARTS LIST

Throttle

ITEM NAME	PART NUMBER	QUANTITY
GUIDE (Ref # 13070)	13070-Y006	1
COVER,WIRE STAY,S.BLACK (Ref # 14094)	14094-Y005-933	1
VALVE,ISC (Ref # 16126)	16126-Y005	1
THROTTLE-ASSY (Ref # 16163A)	16163-Y008	1
SENSOR,PRESSURE (Ref # 21176)	21176-Y012	1
SENSOR,THROTTLE POSITION (Ref # 21176A)	21176-Y013	1
RING-SNAP,TYPE E (Ref # 92033)	92033-Y061	1
RING-O (Ref # 92055)	92055-Y077	1
RING-O,TPS (Ref # 92055A)	92055-Y082	1
SEAL (Ref # 92093)	92093-Y030	1
SEAL (Ref # 92093A)	92093-Y050	1
SPRING (Ref # 92145)	92145-Y076	1
COLLAR (Ref # 92152)	92152-Y079	1
SCREW,TAPPING,4X12 (Ref # 92172)	92172-Y085	1
SCREW,PILOT (Ref # 92172A)	92172-Y093	1
SCREW,PAN,5X12 (Ref # 92172B)	92172-Y096	5
SCREW,4X14 (Ref # 92172C)	92172-Y102	1
SCREW,4X28 (Ref # 92172D)	92172-Y103	1
WASHER,6MM (Ref # 92200)	92200-Y042	1
WASHER (Ref # 92200A)	92200-Y108	1
NUT,6MM (Ref # 92210)	92210-Y027	1
NUT,HEX,5MM (Ref # 92210A)	92210-Y113	1
THROTTLE-ASSY (Ref # 16163)	16163-Y007	1