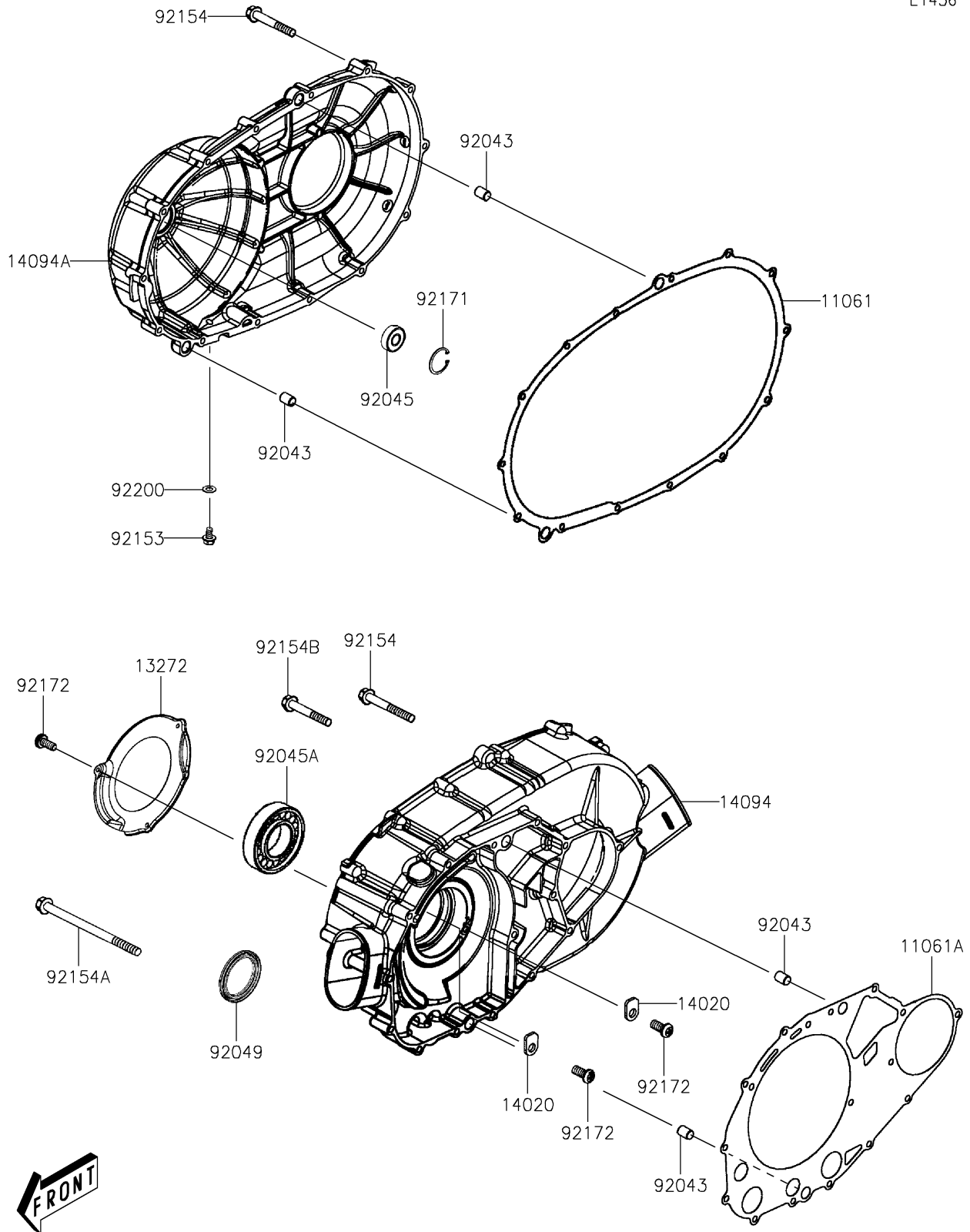


# 2026 BRUTE FORCE® 450 4x4

## PARTS DIAGRAM

### Right Engine Cover(s)

E1436



# 2026 BRUTE FORCE<sup>®</sup> 450 4x4

## PARTS LIST

Right Engine Cover(s)

ITEM NAME	PART NUMBER	QUANTITY
-----------	-------------	----------

---