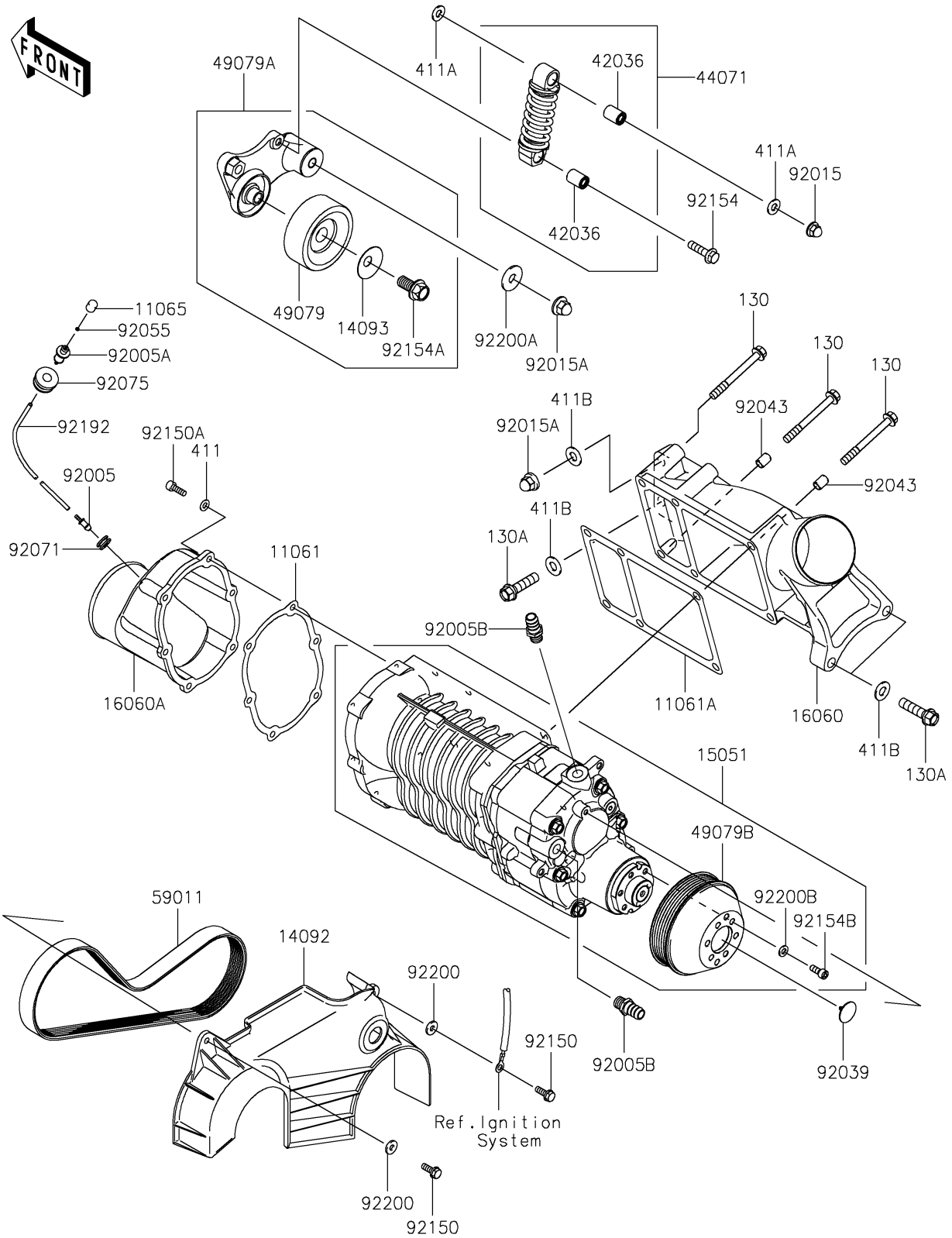


2026 Ultra 310LX

PARTS DIAGRAM

Super Charger

E1460



2026 Ultra 310LX

PARTS LIST Super Charger

ITEM NAME	PART NUMBER	QUANTITY
-----------	-------------	----------
