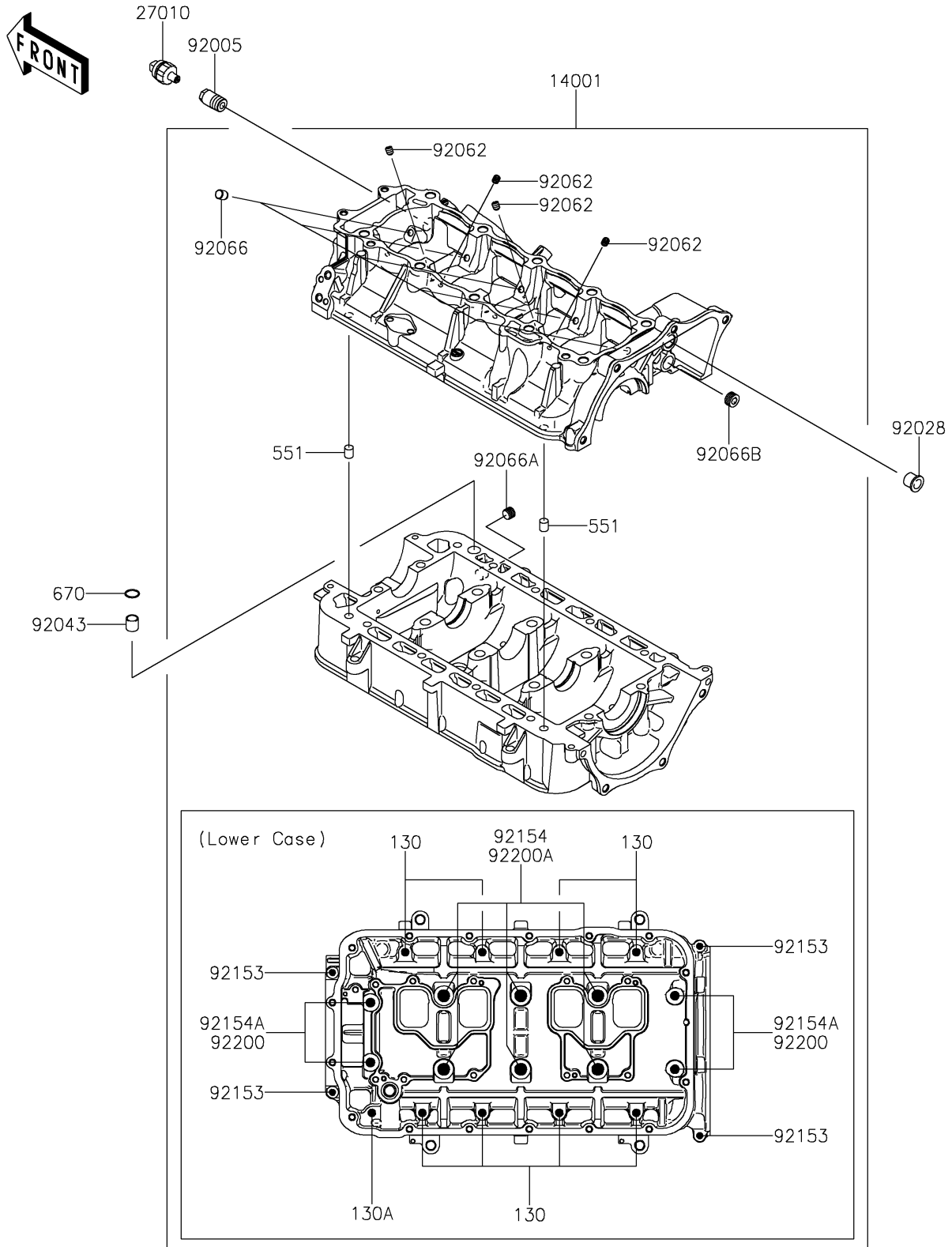


2026 Ultra 310LX

PARTS DIAGRAM

Crankcase

E1411



2026 Ultra 310LX

PARTS LIST

Crankcase

ITEM NAME

PART NUMBER

QUANTITY
