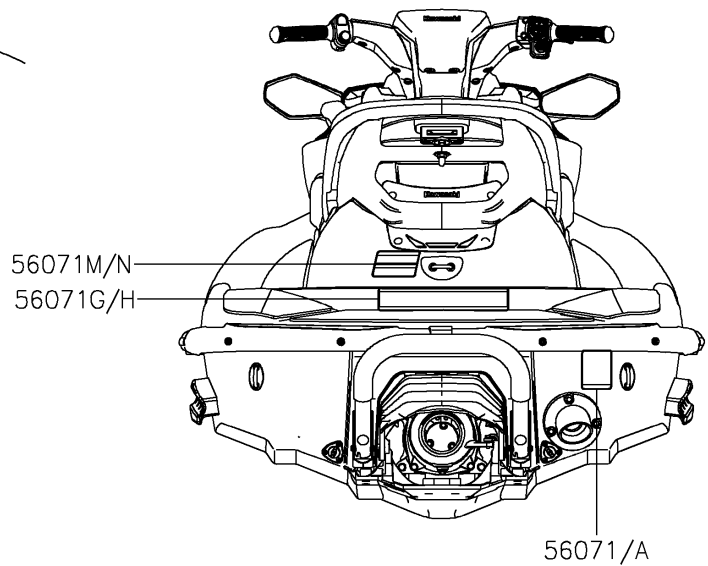
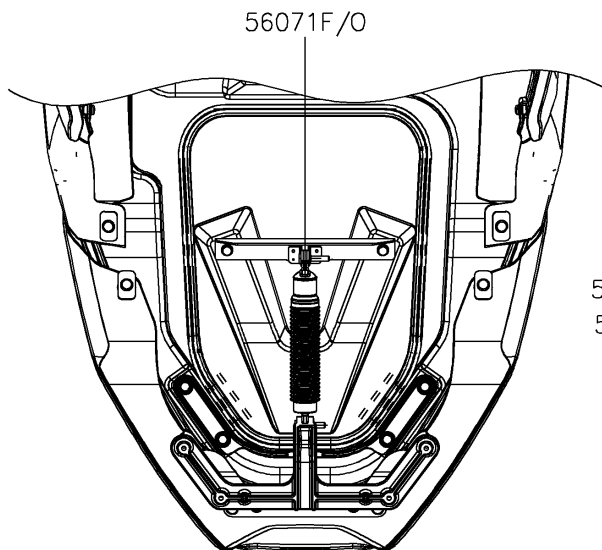
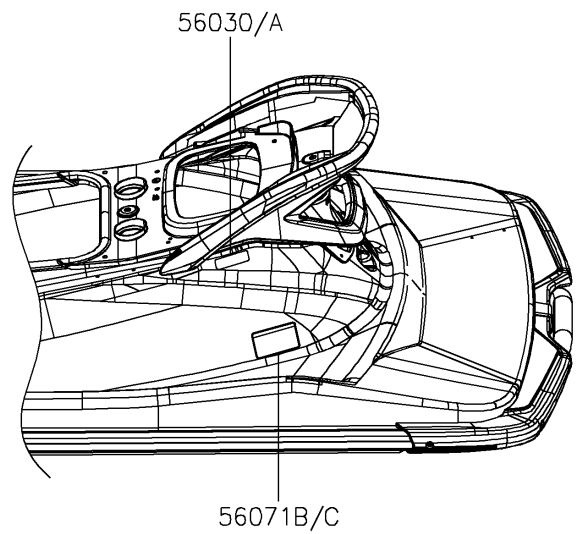
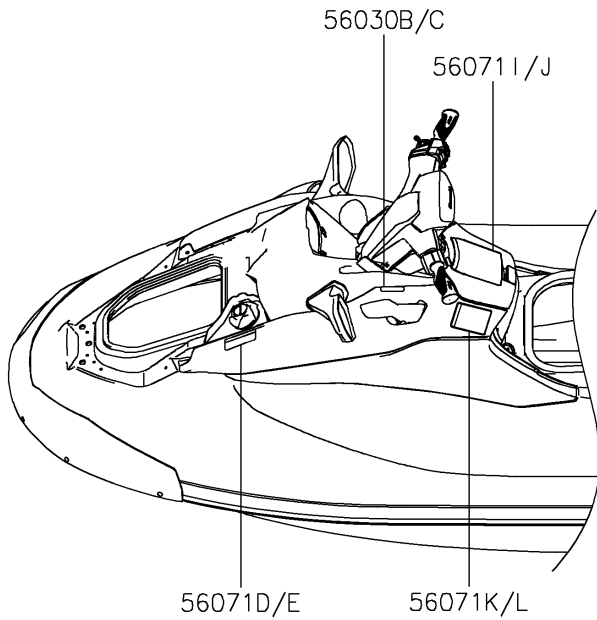


# 2025 STX 160X

## PARTS DIAGRAM

### Labels

F3183



# 2025 STX 160X

## PARTS LIST

### Labels



ITEM NAME	PART NUMBER	QUANTITY
-----------	-------------	----------

---