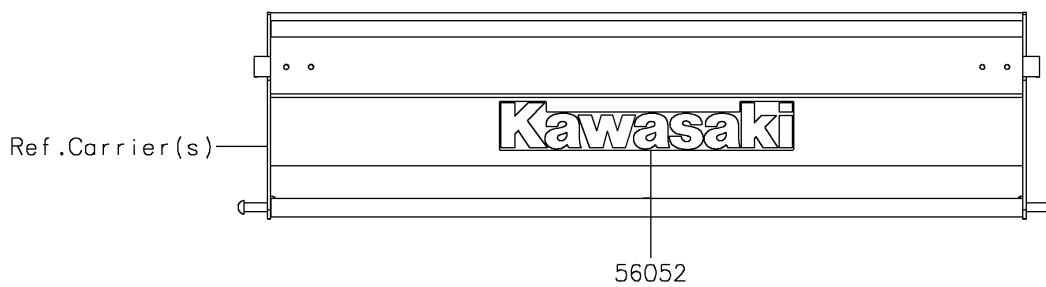
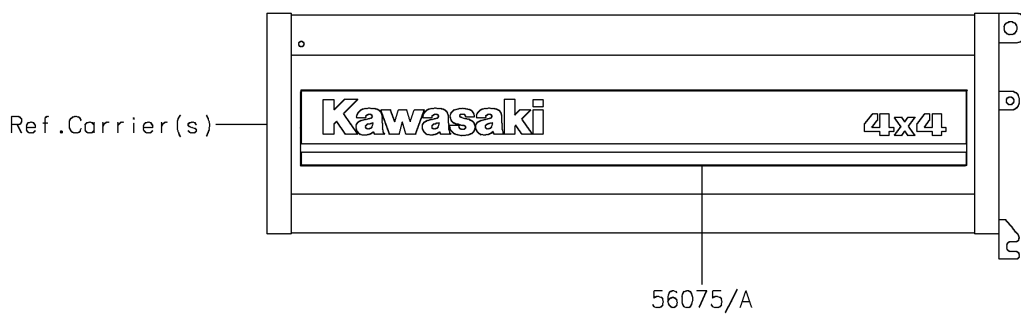
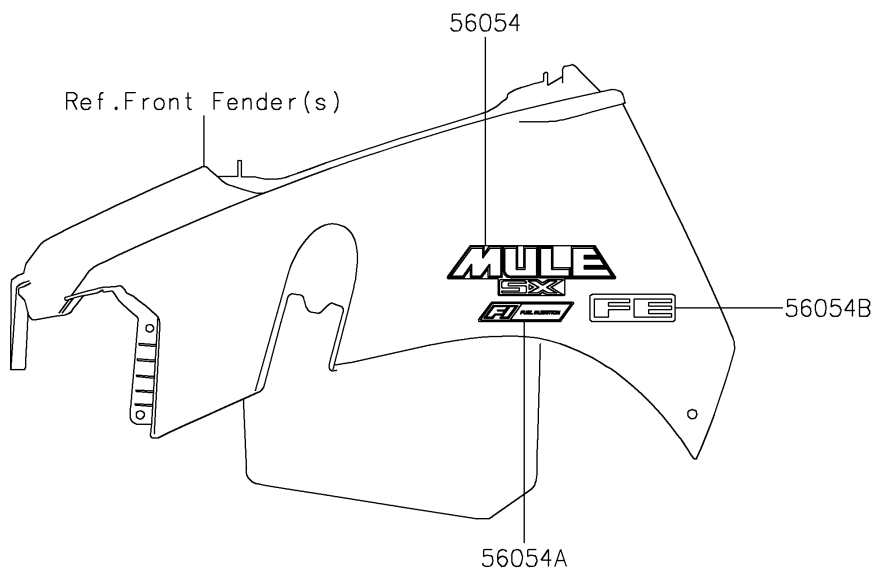


# 2025 MULE SX™ 4x4 FE

## PARTS DIAGRAM

### Decals

F2861



# 2025 MULE SX™ 4x4 FE

## PARTS LIST

### Decals

**ITEM NAME**

**PART NUMBER**

**QUANTITY**

---