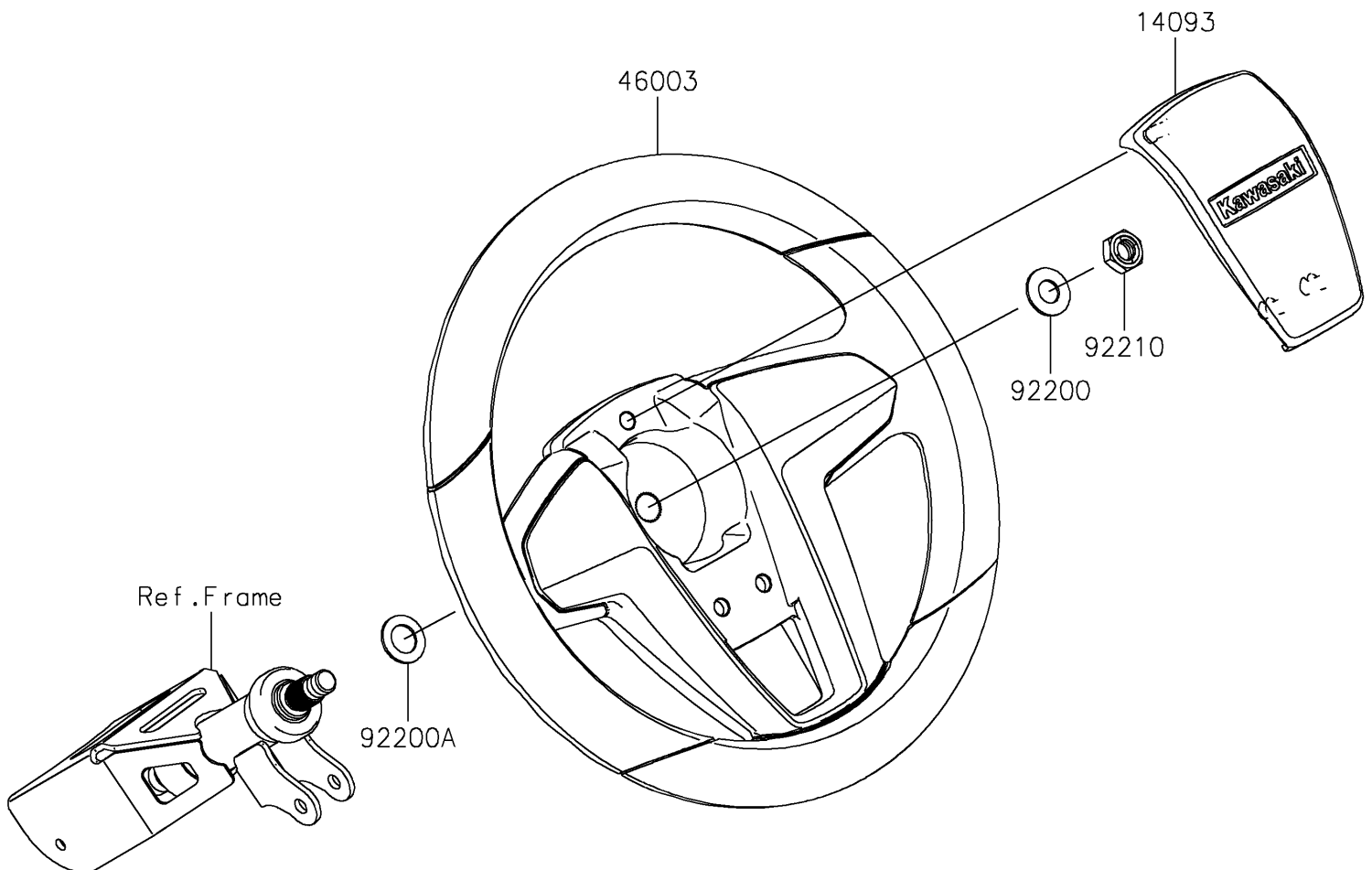


2025 MULE SX™ 4x4 FE

PARTS DIAGRAM

Steering Wheel

F2311



2025 MULE SX™ 4x4 FE

PARTS LIST

Steering Wheel

| ITEM NAME | PART NUMBER | QUANTITY |
|-----------|-------------|----------|
|-----------|-------------|----------|
