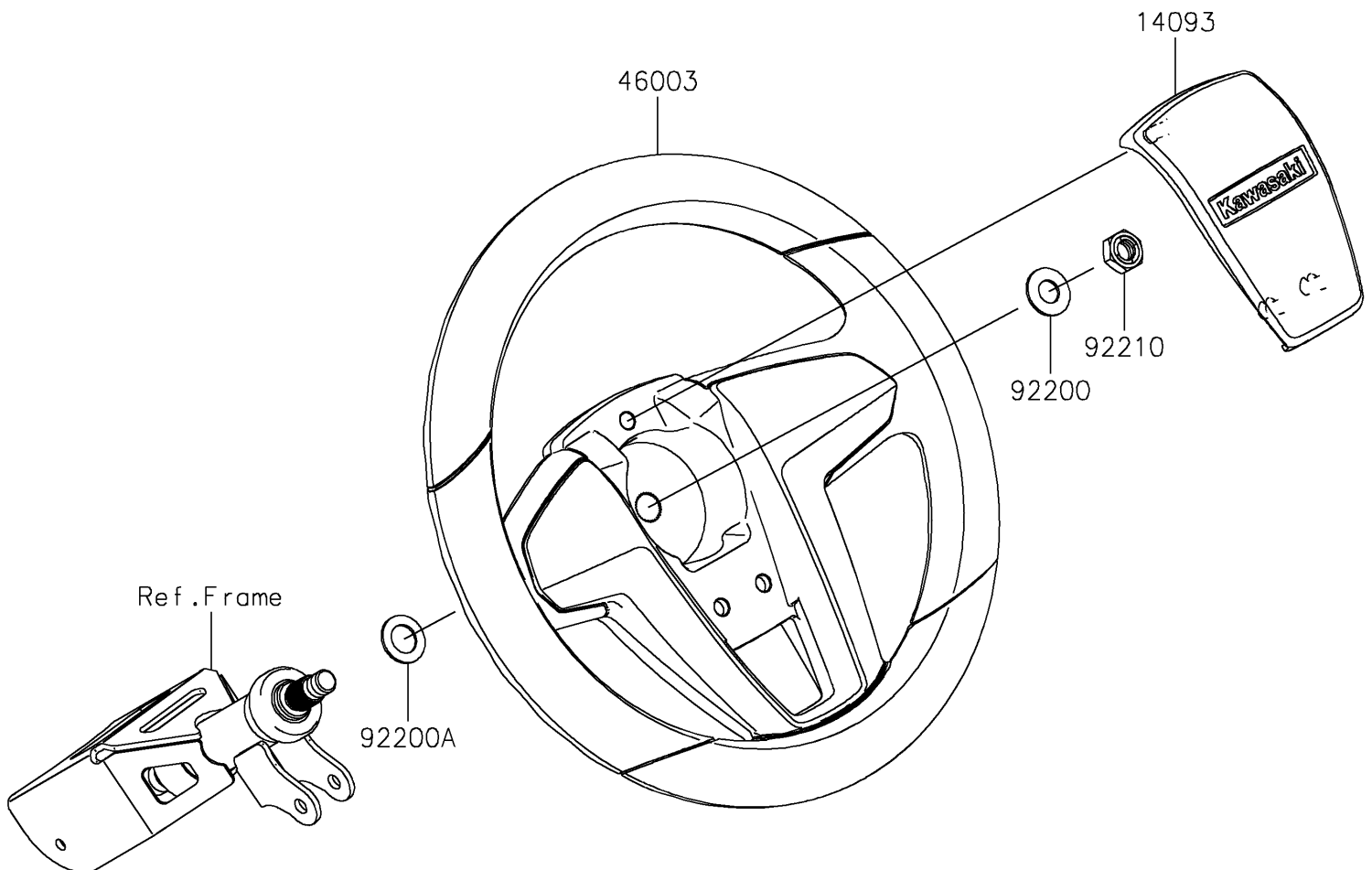


# 2024 MULE SX™ 4x4 FE

## PARTS DIAGRAM

### Steering Wheel

F2311



# 2024 MULE SX™ 4x4 FE

## PARTS LIST

### Steering Wheel

ITEM NAME	PART NUMBER	QUANTITY
-----------	-------------	----------

---